

## Intara CX

Article number: 51460012

### LIGHT TECHNOLOGY

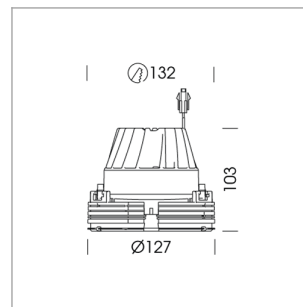
|                      |         |
|----------------------|---------|
| LED                  | COB     |
| Light colour         | Sun     |
| Luminous flux        | 2000 lm |
| System power         | 34 W    |
| Luminaire Efficiency | 59 lm/W |
| Reflector            | Flood   |
| Beam angle           | 40°     |

### LUMINAIRE

|                           |             |
|---------------------------|-------------|
| Rotation angle            | 350°        |
| Swivel angle              | +30° / -30° |
| Weight                    | 0.70 kg     |
| Protection rating . class | IP20 . III  |
| Luminaire colour          | black       |

### OPTIONAL

RAL-colours, NCS-colours (powder coating or wet spraying) on inquiry, surface alloys on inquiry, honeycomb louver

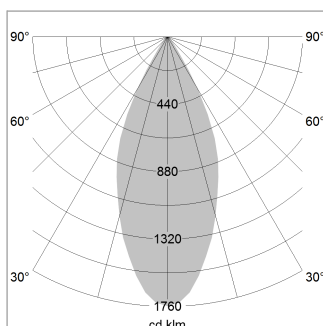


Recessed directional spot, flush with ceiling with LED, rated life of the LED L80/B10 > 50000 h, chromaticity tolerance 3 SDCM (initial), reflector with circular light distribution pattern, reflector pure aluminium 99,99% in MIRO-Silver®, segmented and faceted, exchangeable reflector unit in high-sheen black plastic, with glass cover, luminaire head designed as heat sink die-cast aluminium, black anodized, rotation angle 350°, swivel angle +30°/-30°, Ceiling plaster die-cast aluminum, trim plastic injection molding, black, separate driver unit

76500076 driver unit, Fix Current, 220-240 V / 50-60 Hz, 850 mA, camera-compatible, up to 2.5 KV interference resistance, SELV, max. 34 luminaires per circuit (B16A fuse)

76500077 driver unit, DALI, 220-240 V / 50-60 Hz, 850 mA, with GST18/5-pin connector, incl. 5-conductor feed-through wiring, camera-compatible, up to 2.5 KV interference resistance, SELV, max. 24 luminaires per circuit (B16A fuse)

Note: All data are typical values. System features may change with product improvements due to technical advances. Errors excepted.



|       |      |             |
|-------|------|-------------|
| 1.0 m | 0.81 | 2957.0      |
| 2.0 m | 1.62 | 740.0       |
| 3.0 m | 2.43 | 329.0       |
| 4.0 m | 3.24 | 185.0       |
| 5.0 m | 4.05 | 119.0       |
| Ø (m) |      | E0(0°) [lx] |

