

Intara CX

Article number: 51470009

LIGHT TECHNOLOGY

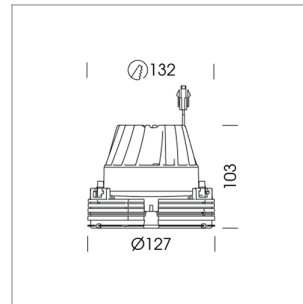
| | |
|----------------------|-------------|
| LED | COB |
| Light colour | GoldenBread |
| Luminous flux | 2240 lm |
| System power | 23 W |
| Luminaire Efficiency | 97 lm/W |
| Reflector | OvalBasic |
| Beam angle | 60° x 40° |

LUMINAIRE

| | |
|---------------------------|-------------|
| Rotation angle | 350° |
| Swivel angle | +30° / -30° |
| Weight | 0.70 kg |
| Protection rating . class | IP20 . III |
| Luminaire colour | black |

OPTIONAL

RAL-colours, NCS-colours (powder coating or wet spraying) on inquiry, surface alloys on inquiry, honeycomb louver

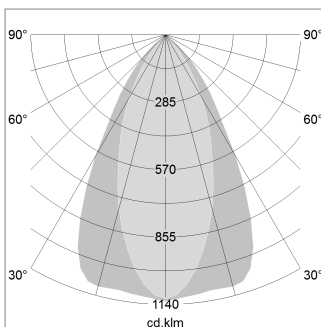


Recessed directional spot, flush with ceiling with LED, rated life of the LED L80/B10 > 50000 h, chromaticity tolerance 3 SDCM (initial), reflector with oval light distribution pattern, reflector pure aluminium 99,99% in MIRO-Silver®, segmented, exchangeable reflector unit in high-sheen black plastic, with glass cover, luminaire head designed as heat sink die-cast aluminium, black anodized, rotation angle 350°, swivel angle +30°/-30°, Ceiling plaster die-cast aluminium, trim plastic injection molding, black, separate driver unit

76500034 driver unit, Fix Current,
220-240 V / 50-60 Hz, 600 mA, camera-compatible, up to 2.5 KV interference resistance, SELV, max. 34 luminaires per circuit (B16A fuse)

76500039 driver unit, DALI,
220-240 V / 50-60 Hz, 600 mA, with GST18/5-pin connector, incl. 5-conductor feed-through wiring, camera-compatible, up to 2.5 KV interference resistance, SELV, max. 24 luminaires per circuit (B16A fuse)

Note: All data are typical values. System features may change with product improvements due to technical advances. Errors excepted.



| | | |
|-------|-----------|-------------|
| 1.0 m | 1.18 0.76 | 2528.4 |
| 2.0 m | 2.36 1.52 | 632.1 |
| 3.0 m | 3.54 2.28 | 280.9 |
| 4.0 m | 4.72 3.04 | 158.0 |
| 5.0 m | 5.90 3.80 | 101.1 |
| | Ø (m) | E0(0°) [lx] |

