

## Intara IC

Article number: 51560002

### LIGHT TECHNOLOGY

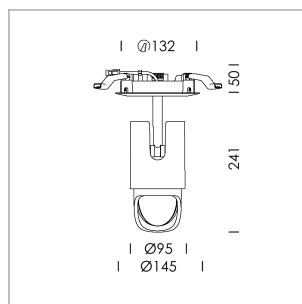
|                      |          |
|----------------------|----------|
| LED                  | COB      |
| Light colour         | 835      |
| Luminous flux        | 2110 lm  |
| System power         | 15 W     |
| Luminaire Efficiency | 159 lm/W |
| Reflector            | WallBeam |

### LUMINAIRE

|                           |             |
|---------------------------|-------------|
| Rotation angle            | 330°        |
| Swivel angle              | +90° / -90° |
| Weight                    | 1.2 kg      |
| Protection rating . class | IP 20 . III |
| Luminaire colour          | stratoblack |

### OPTIONAL

RAL-colours, NCS-colours (powder coating or wet spraying) on inquiry, surface alloys on inquiry, honeycomb louver



Semi-recessed luminaire with LED, rated life of the LED L80/B10 > 50000 h, colour rendering index CRI > 80, chromaticity tolerance 2 SDCM (initial), reflector with asymmetrical light distribution pattern, primary reflector and kick reflector 99% pure aluminium in MIRO-Silver®, attachment with kick reflector to the ceiling approach of the light cone, exchangeable reflector unit in high-sheen black plastic, with glass cover, luminaire head die-cast aluminium, powder-coated, rotation angle 330°, swivel angle +90°/-90°, luminaire housing die-cast aluminium, powder-coated, stratoblack, separate driver unit

76500050 driver unit, Fix Current, 220-240 V / 50-60 Hz, 400 mA, camera-compatible, up to 2.5 KV interference resistance, SELV, max. 34 luminaires per circuit (B16A fuse)

76500051 driver unit, DALI, 220-240 V / 50-60 Hz, 400 mA, with GST18/5-pin connector, incl. 5-conductor feed-through wiring, camera-compatible, up to 2.5 KV interference resistance, SELV, max. 24 luminaires per circuit (B16A fuse)

Note: All data are typical values. System features may change with product improvements due to technical advances. Errors excepted.

