

Intara IC

Article number: 51560035

LIGHT TECHNOLOGY

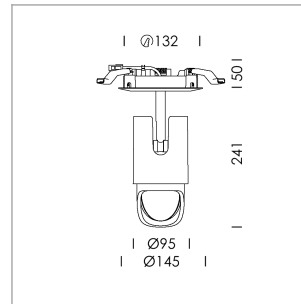
| | |
|----------------------|-------------|
| LED | COB |
| Light colour | SpecialMeat |
| Luminous flux | 950 lm |
| System power | 15 W |
| Luminaire Efficiency | 63 lm/W |
| Reflector | WallBeam |

LUMINAIRE

| | |
|---------------------------|-------------|
| Rotation angle | 330° |
| Swivel angle | +90° / -90° |
| Weight | 1.2 kg |
| Protection rating . class | IP 20 . III |
| Luminaire colour | stratowhite |

OPTIONAL

RAL-colours, NCS-colours (powder coating or wet spraying) on inquiry, surface alloys on inquiry, honeycomb louver



Semi-recessed luminaire with LED, rated life of the LED L80/B10 > 50000 h, chromaticity tolerance 2 SDCM (initial), reflector with asymmetrical light distribution pattern, primary reflector and kick reflector 99% pure aluminium in MIRO-Silver®, attachment with kick reflector to the ceiling approach of the light cone, exchangeable reflector unit in high-sheen black plastic, with glass cover, luminaire head die-cast aluminium, powder-coated, rotation angle 330°, swivel angle +90°/-90°, luminaire housing die-cast aluminium, powder-coated, stratowhite, separate driver unit

76500050 driver unit, Fix Current, 220-240 V / 50-60 Hz, 400 mA, camera-compatible, up to 2.5 KV interference resistance, SELV, max. 34 luminaires per circuit (B16A fuse)

76500051 driver unit, DALI, 220-240 V / 50-60 Hz, 400 mA, with GST18/5-pin connector, incl. 5-conductor feed-through wiring, camera-compatible, up to 2.5 KV interference resistance, SELV, max. 24 luminaires per circuit (B16A fuse)

Note: All data are typical values. System features may change with product improvements due to technical advances. Errors excepted.

