

## Intara RD 164

Article number: 50650012

### LIGHT TECHNOLOGY

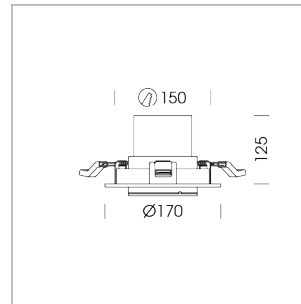
|                      |            |
|----------------------|------------|
| LED                  | COB        |
| Light colour         | PearlWhite |
| Luminous flux        | 3980 lm    |
| System power         | 41 W       |
| Luminaire Efficiency | 97 lm/W    |
| Reflector            | Medium     |
| Beam angle           | 20°        |

### LUMINAIRE

|                           |                      |
|---------------------------|----------------------|
| Swivel angle              | +30° / -30°          |
| Weight                    | 0.9kg without driver |
| Protection rating . class | IP 20 . III          |
| Luminaire colour          | silver               |

### OPCJA

RAL colours



Recessed luminaire with LED, rated life of the LED L80/B10 > 50000h, colour rendering index CRI > 90, chromaticity tolerance 2 SDCM (initial), reflector with circular light distribution pattern, 99,99% pure aluminium, segmented and faceted, cardanic, incl. glass cover, sheet metal powder coated, separate driver unit

76500037 driver unit, fix current  
220-240 V / 50-60 Hz, 1050 mA, with GST18/3-pin connector, incl. 3-conductor feed-through wiring, camera-compatible, up to 2.5 KV interference resistance, SELV, max. 24 luminaires per circuit (B16A fuse)

76500042 driver unit, DALI  
220-240 V / 50-60 Hz, 1050 mA, with GST18/5-pin connector, incl. 5-conductor feed-through wiring, up to 2.5 KV interference resistance, SELV, max. 52 luminaires per circuit (B16A fuse)

Note: All data are typical values. System features may change with product improvements due to technical advances. Errors excepted.

