

Intara SQ 175

Article number: 51150059

LIGHT TECHNOLOGY

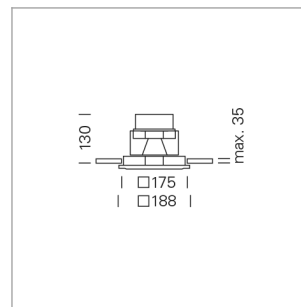
| | |
|----------------------|---------|
| LED | COB |
| Light colour | 927 |
| Luminous flux | 3850 lm |
| System power | 41 W |
| Luminaire Efficiency | 94 lm/W |
| Reflector | Flood |
| Beam angle | 40° |

LUMINAIRE

| | |
|---------------------------|-------------|
| Swivel angle | 30° |
| Weight | 1.9 kg |
| Protection rating . class | IP 20 . III |
| Luminaire colour | stratowhite |

OPTIONAL

RAL-colours, NCS-colours (powder coating or wet spraying) on inquiry, surface alloys on inquiry, honeycomb louver

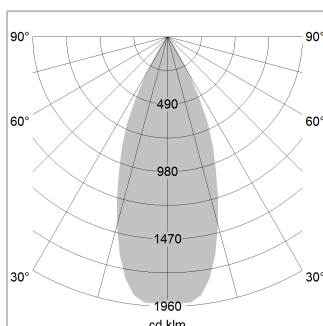


Recessed luminaire with LED, rated life of the LED L80/B10 > 50000 h, colour rendering index CRI > 90, chromaticity tolerance 2 SDCM (initial), reflector with circular light distribution pattern, reflector pure aluminium 99,99% in MIRO-Silver®, swivel angle 30°, luminaire housing sheet steel, powder-coated, stratowhite, separate driver unit

76500037 driver unit, Fix Current, 220-240 V / 50-60 Hz, 1050 mA, camera-compatible, up to 2.5 KV interference resistance, SELV, max. 22 luminaires per circuit (B16A fuse)

76500042 driver unit, DALI, 220-240 V / 50-60 Hz, 1050 mA, with GST18/5-pin connector, incl. 5-conductor feed-through wiring, camera-compatible, up to 2.5 KV interference resistance, SELV, max. 22 luminaires per circuit (B16A fuse)

Note: All data are typical values. System features may change with product improvements due to technical advances. Errors excepted.



| | | |
|-------|-------|-------------|
| 1.0 m | 0.73 | 7644.5 |
| 2.0 m | 1.46 | 1911.1 |
| 3.0 m | 2.19 | 849.4 |
| 4.0 m | 2.92 | 477.8 |
| 5.0 m | 3.65 | 305.8 |
| | Ø (m) | E0(0°) [lx] |

