

## Intara SQ 175

Article number: 51160102

### LIGHT TECHNOLOGY

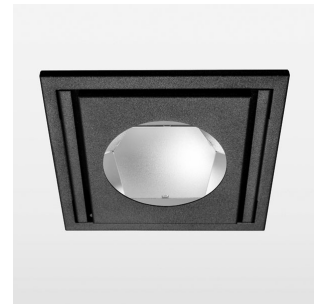
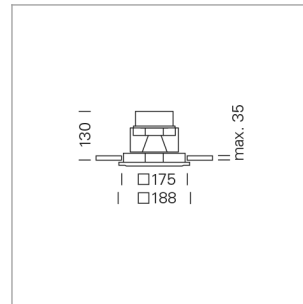
LED	COB
Light colour	SpecialMeat
Luminous flux	2260 lm
System power	41 W
Luminaire Efficiency	55 lm/W
Reflector	OvalBasic
Beam angle	60° x 30°

### LUMINAIRE

Swivel angle	30°
Weight	1.9 kg
Protection rating . class	IP 20 . III
Luminaire colour	stratoblack

### OPTIONEEL

RAL-colours, NCS-colours (powder coating or wet spraying) on inquiry, surface alloys on inquiry, honeycomb louver

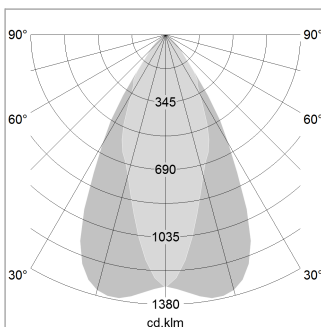


Recessed luminaire with LED, rated life of the LED L80/B10 > 50000 h, chromaticity tolerance 2 SDCM (initial), reflector with oval light distribution pattern, reflector pure aluminium 99,99% in MIRO-Silver®, swivel angle 30°, luminaire housing sheet steel, powder-coated, stratoblack, separate driver unit

76500037 driver unit, Fix Current, 220-240 V / 50-60 Hz, 1050 mA, camera-compatible, up to 2.5 KV interference resistance, SELV, max. 22 luminaires per circuit (B16A fuse)

76500042 driver unit, DALI, 220-240 V / 50-60 Hz, 1050 mA, with GST18/5-pin connector, incl. 5-conductor feed-through wiring, camera-compatible, up to 2.5 KV interference resistance, SELV, max. 22 luminaires per circuit (B16A fuse)

Note: All data are typical values. System features may change with product improvements due to technical advances. Errors excepted.



Height (m)	Beam Diameter (m)	Illuminance (lx)
1.0	1.05	3519.2
2.0	2.10	879.8
3.0	3.15	391.0
4.0	4.20	219.9
5.0	5.25	140.8

Ø (m) E0(0°) [lx]

