

Intara SQ 175

Article number: 51340010

LIGHT TECHNOLOGY

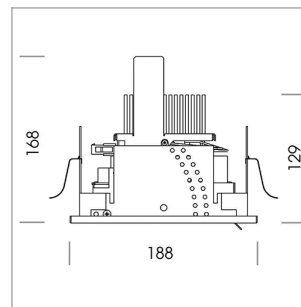
| | |
|----------------------|-------------|
| LED | COB |
| Light colour | GoldenBread |
| Luminous flux | 3720 lm |
| System power | 41 W |
| Luminaire Efficiency | 91 lm/W |
| Reflector | WallBeam |

LUMINAIRE

| | |
|---------------------------|-------------|
| Swivel angle | 30° |
| Weight | 1.8 kg |
| Protection rating . class | IP 20 . III |
| Luminaire colour | stratoblack |

OPTIONEEL

RAL-colours, NCS-colours (powder coating or wet spraying) on inquiry, surface alloys on inquiry, honeycomb louver



Recessed luminaire with LED, rated life of the LED L80/B10 > 50000 h, chromaticity tolerance 3 SDCM (initial), reflector with asymmetrical light distribution pattern, reflector pure aluminium 99,99% in MIRO-Silver®, swivel angle 30°, luminaire housing sheet steel, powder-coated, stratoblack, separate driver unit

76500037 driver unit, Fix Current, 220-240 V / 50-60 Hz, 1050 mA, camera-compatible, up to 2.5 KV interference resistance, SELV, max. 22 luminaires per circuit (B16A fuse)

76500042 driver unit, DALI, 220-240 V / 50-60 Hz, 1050 mA, with GST18/5-pin connector, incl. 5-conductor feed-through wiring, camera-compatible, up to 2.5 KV interference resistance, SELV, max. 22 luminaires per circuit (B16A fuse)

Note: All data are typical values. System features may change with product improvements due to technical advances. Errors excepted.

