

Intara XR

Article number: 50870041

LIGHT TECHNOLOGY

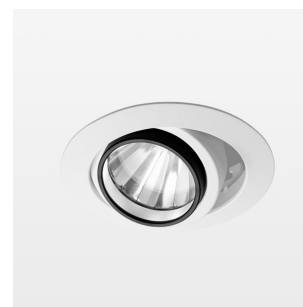
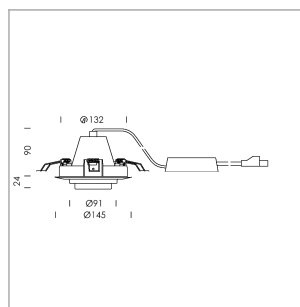
LED	COB
Light colour	BeColor
Luminous flux	1940 lm
System power	23 W
Luminaire Efficiency	84 lm/W
Reflector	Spot
Beam angle	20°

LUMINAIRE

Swivel angle	+25°/-25°
Weight	0.69 kg
Protection rating . class	IP 20 . II
Luminaire colour	stratowhite

OPTIONAL

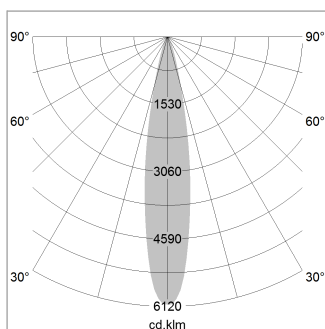
RAL-colours, NCS-colours (powder coating or wet spraying) on inquiry, surface alloys on inquiry, honeycomb louver



Recessed luminaire with LED, rated life of the LED L80/B10 > 50000 h, colour rendering index CRI > 96, chromaticity tolerance 2 SDCM (initial), rotation-symmetrical reflector with circular light distribution pattern, reflector pure aluminium 99,99% in MIRO-Silver®, segmented and faceted, 3D lens silicon to reduce the proportion of scattered light, die-cast aluminium, powder-coated, rotation angle , swivel angle +25°/-25°, stratowhite,

Inclusiv fix connected driver unit
220-240 V~ / 50-60 Hz, max. 18 luminaires per circuit (B16A fuse)

Note: All data are typical values. System features may change with product improvements due to technical advances. Errors excepted.



1.0 m	0.34	11804.1
2.0 m	0.68	2951.0
3.0 m	1.02	1311.6
4.0 m	1.36	737.8
5.0 m	1.70	472.2
Ø (m)		E0(0°) [lx]

