

Intara XR

Article number: 50870044

LIGHT TECHNOLOGY

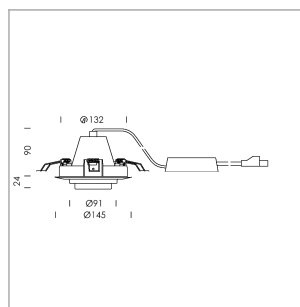
LED	COB
Light colour	830
Luminous flux	3840 lm
System power	34 W
Luminaire Efficiency	113 lm/W
Reflector	Spot
Beam angle	20°

LUMINAIRE

Swivel angle	+25°/-25°
Weight	0.69 kg
Protection rating . class	IP 20 . II
Luminaire colour	stratoblack

OPTIONAL

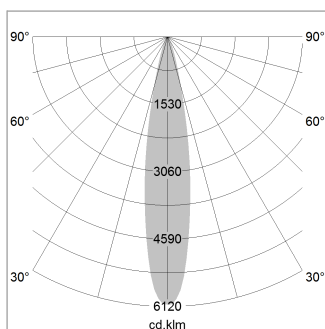
RAL-colours, NCS-colours (powder coating or wet spraying) on inquiry, surface alloys on inquiry, honeycomb louver



Recessed luminaire with LED, rated life of the LED L80/B10 > 50000 h, colour rendering index CRI > 80, chromaticity tolerance 2 SDCM (initial), rotation-symmetrical reflector with circular light distribution pattern, reflector pure aluminium 99,99% in MIRO-Silver®, segmented and faceted, 3D lens silicon to reduce the proportion of scattered light, die-cast aluminium, powder-coated, rotation angle , swivel angle +25°/-25°, stratoblack,

Inclusiv fix connected driver unit
220-240 V~ / 50-60 Hz, max. 18 luminaires per circuit (B16A fuse)

Note: All data are typical values. System features may change with product improvements due to technical advances. Errors excepted.



1.0 m	0.34	23364.9
2.0 m	0.68	5841.2
3.0 m	1.02	2596.1
4.0 m	1.36	1460.3
5.0 m	1.70	934.6
Ø (m)		E0(0°) [lx]

