

## Intara XR

Article number: 50710015

### LIGHT TECHNOLOGY

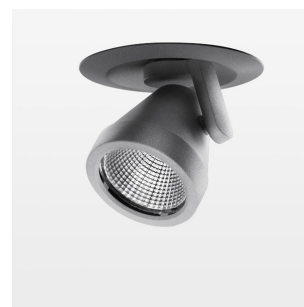
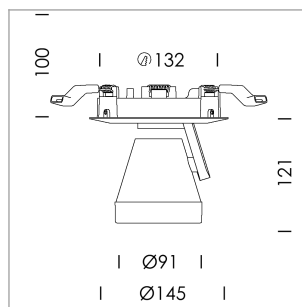
|                      |          |
|----------------------|----------|
| LED                  | COB      |
| Light colour         | 840      |
| Luminous flux        | 3780 lm  |
| System power         | 34 W     |
| Luminaire Efficiency | 111 lm/W |
| Reflector            | Medium   |
| Beam angle           | 25°      |

### LUMINAIRE

|                           |              |
|---------------------------|--------------|
| Rotation angle            | 400°         |
| Swivel angle              | +85° / -85°  |
| Weight                    | 0.65 kg      |
| Protection rating . class | IP 20 . II   |
| Luminaire colour          | stratosilver |

### OPTIONAL

RAL-colours, NCS-colours (powder coating or wet spraying) on inquiry, surface alloys on inquiry, honeycomb louver



Semi-recessed luminaire with LED, rated life of the LED L80/B10 > 50000 h, colour rendering index CRI > 80, chromaticity tolerance 2 SDCM (initial), reflector with circular light distribution pattern, reflector pure aluminium 99,99% in MIRO-Silver®, segmented and faceted, 3D lens silicon to reduce the proportion of scattered light, die-cast aluminium, powder-coated, rotation angle 400°, swivel angle +85° / -85°, stratosilver, separate driver unit

76500076 driver unit, Fix Current, 220-240 V / 50-60 Hz, 850 mA, camera-compatible, up to 2.5 KV interference resistance, SELV, max. 34 luminaires per circuit (B16A fuse)

76500077 driver unit, DALI, 220-240 V / 50-60 Hz, 850 mA, with GST18/5-pin connector, incl. 5-conductor feed-through wiring, camera-compatible, up to 2.5 KV interference resistance, SELV, max. 24 luminaires per circuit (B16A fuse)

Note: All data are typical values. System features may change with product improvements due to technical advances. Errors excepted.

