

## Intara XR

Article number: 50760021

### LIGHT TECHNOLOGY

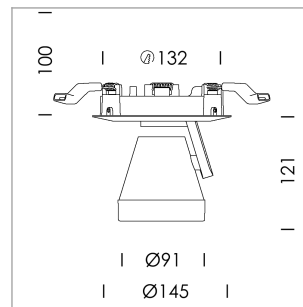
|                      |            |
|----------------------|------------|
| LED                  | COB        |
| Light colour         | PearlWhite |
| Luminous flux        | 3440 lm    |
| System power         | 41 W       |
| Luminaire Efficiency | 84 lm/W    |
| Reflector            | Medium     |
| Beam angle           | 25°        |

### LUMINAIRE

|                           |             |
|---------------------------|-------------|
| Rotation angle            | 400°        |
| Swivel angle              | +85°/-85°   |
| Weight                    | 0.65 kg     |
| Protection rating . class | IP 20 . II  |
| Luminaire colour          | stratowhite |

### OPTIONAL

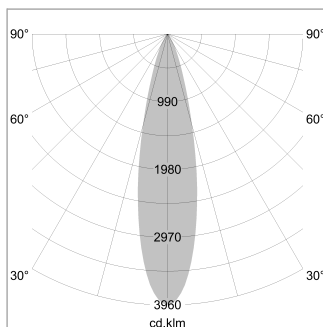
RAL-colours, NCS-colours (powder coating or wet spraying) on inquiry, surface alloys on inquiry, honeycomb louver



Semi-recessed luminaire with LED, rated life of the LED L80/B10 > 50000 h, colour rendering index CRI > 90, chromaticity tolerance 2 SDCM (initial), reflector with circular light distribution pattern, reflector pure aluminium 99,99% in MIRO-Silver®, segmented and faceted, 3D lens silicon to reduce the proportion of scattered light, die-cast aluminium, powder-coated, rotation angle 400°, swivel angle +85°/-85°, stratowhite, potentiometer to adjust the brightness, separate driver unit

76500109 driver unit, Fix Current, 220-240 V / 50-60 Hz, 1050 mA, camera-compatible, up to 2.5 KV interference resistance, SELV, max. 22 luminaires per circuit (B16A fuse)

Note: All data are typical values. System features may change with product improvements due to technical advances. Errors excepted.



|       |       |             |
|-------|-------|-------------|
| 1.0 m | 0.44  | 13609.3     |
| 2.0 m | 0.88  | 3402.3      |
| 3.0 m | 1.32  | 1512.1      |
| 4.0 m | 1.76  | 850.6       |
| 5.0 m | 2.20  | 544.4       |
|       | Ø (m) | E0(0°) [lx] |

