

Intara XR

Article number: 50770014

LIGHT TECHNOLOGY

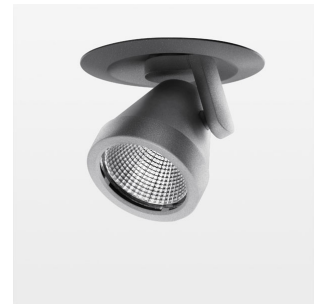
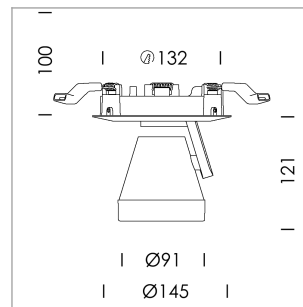
| | |
|----------------------|------------|
| LED | COB |
| Light colour | PearlWhite |
| Luminous flux | 3570 lm |
| System power | 41 W |
| Luminaire Efficiency | 87 lm/W |
| Reflector | Flood |
| Beam angle | 44° |

LUMINAIRE

| | |
|---------------------------|--------------|
| Rotation angle | 400° |
| Swivel angle | +85°/-85° |
| Weight | 0.65 kg |
| Protection rating . class | IP 20 . II |
| Luminaire colour | stratosilver |

OPTIONAL

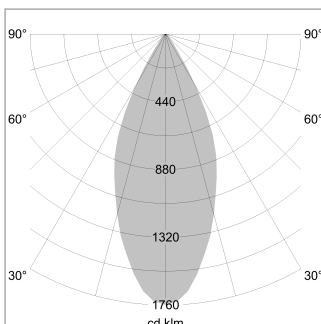
RAL-colours, NCS-colours (powder coating or wet spraying) on inquiry, surface alloys on inquiry, honeycomb louver



Semi-recessed luminaire with LED, rated life of the LED L80/B10 > 50000 h, colour rendering index CRI > 90, chromaticity tolerance 2 SDCM (initial), reflector with circular light distribution pattern, reflector pure aluminium 99,99% in MIRO-Silver®, segmented and faceted, die-cast aluminium, powder-coated, rotation angle 400°, swivel angle +85°/-85°, stratosilver, potentiometer to adjust the brightness, separate driver unit

76500109 driver unit, Fix Current, 220-240 V / 50-60 Hz, 1050 mA, camera-compatible, up to 2.5 KV interference resistance, SELV, max. 22 luminaires per circuit (B16A fuse)

Note: All data are typical values. System features may change with product improvements due to technical advances. Errors excepted.



| | | |
|-------|-------|-------------|
| 1.0 m | 0.81 | 6281.8 |
| 2.0 m | 1.62 | 1570.4 |
| 3.0 m | 2.43 | 698.0 |
| 4.0 m | 3.24 | 392.6 |
| 5.0 m | 4.05 | 251.3 |
| | Ø (m) | E0(0°) [lx] |

