

Ontero CS 90

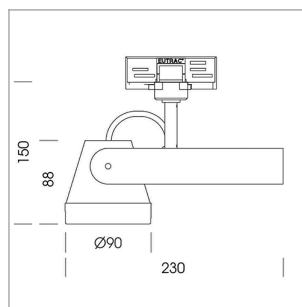
Article number: 20500006

LIGHT TECHNOLOGY

| | |
|----------------------|----------|
| LED | COB |
| Light colour | 840 |
| Luminous flux | 2240 lm |
| System power | 15 W |
| Luminaire Efficiency | 142 lm/W |
| Reflector | Spot |
| Beam angle | 15° |

LUMINAIRE

| | |
|---------------------------|--------------|
| Rotation angle | 350° |
| Swivel angle | +180° / -20° |
| Weight | 1.3 kg |
| Protection rating . class | IP 20 . I |
| Luminaire colour | stratowhite |



Surface-mounted luminaire with LED, rated life of the LED L80/B10 > 50000 h, colour rendering index CRI > 80, chromaticity tolerance 2 SDCM (initial), reflector with circular light distribution pattern, reflector pure aluminium 99,99% in MIRO-Silver®, luminaire head die-cast aluminium, powder-coated, rotation angle 350°, swivel angle +180°/-20°, luminaire housing sheet steel, powder-coated, stratowhite

Multiadapter black, inclusive driver unit: 220-240 V~ / 50-60 Hz, max. 34 luminaires per circuit (B16A fuse)

Note: All data are typical values. System features may change with product improvements due to technical advances. Errors excepted.

