

## Ontero EC 125

Article number: 21000095

### LIGHT TECHNOLOGY

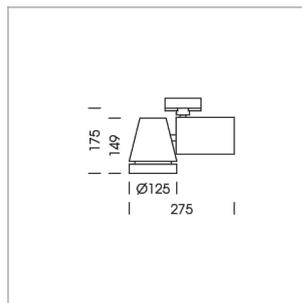
LED	COB
Light colour	927
Luminous flux	3270 lm
System power	34 W
Luminaire Efficiency	98 lm/W
Reflector	Flood
Beam angle	40°

### LUMINAIRE

Rotation angle	350°
Swivel angle	210°
Weight	2.1 kg
Protection rating . class	IP 20 . I
Luminaire colour	stratowhite

### OPTIONAL

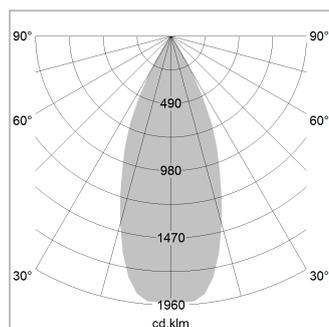
RAL-colours, NCS-colours (powder coating or wet spraying) on inquiry, surface alloys on inquiry, honeycomb louver



Surface-mounted luminaire with LED, rated life of the LED L80/B10 > 50000 h, colour rendering index CRI > 90, chromaticity tolerance 2 SDCM (initial), reflector with circular light distribution pattern, reflector pure aluminium 99,99% in MIRO-Silver®, rotation angle 350°, swivel angle 210°, luminaire housing die-cast aluminium, powder-coated, stratowhite

Multiadapter black, inclusive driver unit: 220-240 V~ / 50-60 Hz, max. 34 luminaires per circuit (B16A fuse)

Note: All data are typical values. System features may change with product improvements due to technical advances. Errors excepted.



1.0 m	0.73	6492.9
2.0 m	1.46	1623.2
3.0 m	2.19	721.4
4.0 m	2.92	405.8
5.0 m	3.65	259.7
	Ø (m)	E0(0°) [lx]

