

Ontero EC 125

Article number: 21010176

LIGHT TECHNOLOGY

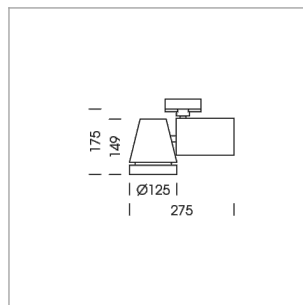
| | |
|----------------------|-----------|
| LED | COB |
| Light colour | Sun |
| Luminous flux | 2200 lm |
| System power | 34 W |
| Luminaire Efficiency | 65 lm/W |
| Reflector | OvalBasic |
| Beam angle | 60° x 30° |

LUMINAIRE

| | |
|---------------------------|-------------|
| Rotation angle | 350° |
| Swivel angle | 210° |
| Weight | 2.1 kg |
| Protection rating . class | IP 20 . I |
| Luminaire colour | stratowhite |

OPTIONAL

RAL-colours, NCS-colours (powder coating or wet spraying) on inquiry, surface alloys on inquiry, honeycomb louver



Surface-mounted luminaire with LED, rated life of the LED L80/B10 > 50000 h, chromaticity tolerance 3 SDCM (initial), reflector with oval light distribution pattern, reflector pure aluminium 99,99% in MIRO-Silver®, rotation angle 350°, swivel angle 210°, luminaire housing die-cast aluminium, powder-coated, stratowhite

Multiadapter black, inclusive driver unit: 220-240 V~ / 50-60 Hz, max. 34 luminaires per circuit (B16A fuse)

Note: All data are typical values. System features may change with product improvements due to technical advances. Errors excepted.

