

Ontero ID

Article number: 20630024

LIGHT TECHNOLOGY

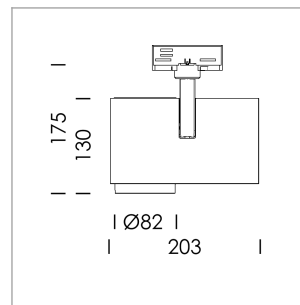
| | |
|----------------------|---------|
| LED | COB |
| Light colour | Sun |
| Luminous flux | 1080 lm |
| System power | 15 W |
| Luminaire Efficiency | 72 lm/W |
| Reflector | Medium |
| Beam angle | 25° |

LUMINAIRE

| | |
|---------------------------|--------------|
| Rotation angle | 330° |
| Swivel angle | 90° |
| Weight | 1.3 kg |
| Protection rating . class | IP 20 . I |
| Luminaire colour | stratosilver |

OPTIONAL

RAL-colours, NCS-colours (powder coating or wet spraying) on inquiry, surface alloys on inquiry, honeycomb louver



Surface-mounted luminaire with LED, rated life of the LED L80/B10 > 50000 h, chromaticity tolerance 3 SDCM (initial), LED hybrid technology, 3D silicone lens to reduce the proportion of scattered light, reflector with circular light distribution pattern, reflector pure aluminium 99,99% in MIRO-Silver®, segmented and faceted, exchangeable reflector unit in high-sheen black plastic, with glass cover, rotation angle 330°, swivel angle 90°, luminaire housing die-cast aluminium, powder-coated, stratosilver

Multiadapter black, inclusive driver unit: 220-240 V~ / 50-60 Hz, max. 34 luminaires per circuit (B16A fuse)

Note: All data are typical values. System features may change with product improvements due to technical advances. Errors excepted.

