

Ontero ID

Article number: 20660060

LIGHT TECHNOLOGY

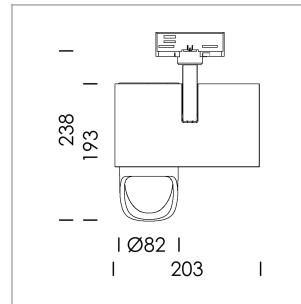
LED	COB
Light colour	Sun
Luminous flux	1560 lm
System power	23 W
Luminaire Efficiency	68 lm/W
Reflector	WallBeam

LUMINAIRE

Rotation angle	330°
Swivel angle	90°
Weight	1.3 kg
Protection rating . class	IP 20 . I
Luminaire colour	stratosilver

OPCJA

RAL-colours, NCS-colours (powder coating or wet spraying) on inquiry, surface alloys on inquiry, honeycomb louver



Surface-mounted luminaire with LED, rated life of the LED L80/B10 > 50000 h, chromaticity tolerance 3 SDCM (initial), reflector with asymmetrical light distribution pattern, primary reflector and kick reflector 99% pure aluminium in MIRO-Silver®, attachment with kick reflector to the ceiling approach of the light cone, exchangeable reflector unit in high-sheen black plastic, with glass cover, rotation angle 330°, swivel angle 90°, luminaire housing die-cast aluminium, powder-coated, stratosilver

Multiadapter black, inclusive driver unit: 220-240 V~ / 50-60 Hz, max. 34 luminaires per circuit (B16A fuse)

Note: All data are typical values. System features may change with product improvements due to technical advances. Errors excepted.

