

Ontero XR

Article number: 20790010

LIGHT TECHNOLOGY

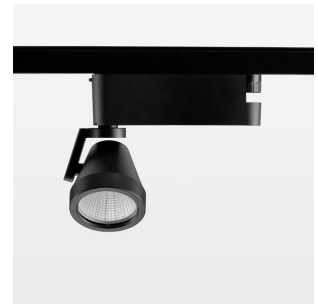
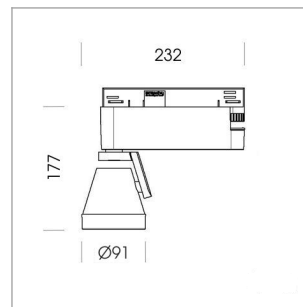
LED	COB
Light colour	PearlWhite
Luminous flux	1720 lm
System power	15 W
Luminaire Efficiency	109 lm/W
Reflector	Flood
Beam angle	44°

LUMINAIRE

Rotation angle	400°
Swivel angle	+85° / -85°
Weight	0.8 kg
Protection rating . class	IP 20 . I
Luminaire colour	stratoblack

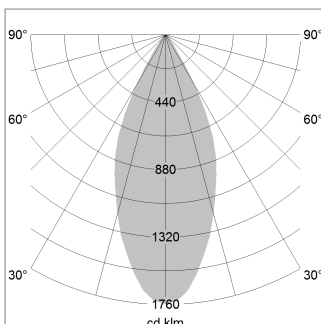
OPTIONAL

RAL-colours, NCS-colours (powder coating or wet spraying) on inquiry
(only luminaire head and holding arm) surface alloys on inquiry, blends



Surface-mounted luminaire with LED, rated life of the LED L80/B10 > 50000 h, colour rendering index CRI > 90, chromaticity tolerance 2 SDCM (initial), reflector with circular light distribution pattern, reflector pure aluminium 99,99% in MIRO-Silver®, segmented and faceted, rotation angle 400°, swivel angle +85°/-85°, luminaire head/retention arm die-cast aluminium, powder-coated, stratoblack, power-adaptor, black, inclusive fix current driver unit: 220-240 V~ / 50-60 Hz, max. 34 luminaires per circuit (B16A fuse)

Note: All data are typical values. System features may change with product improvements due to technical advances. Errors excepted.



Distance (m)	Beam Diameter (m)	Illuminance E0(0°) [lx]
1.0	0.81	3026.5
2.0	1.62	756.6
3.0	2.43	336.3
4.0	3.24	189.2
5.0	4.05	121.1

