

Pendiro AM 290

Article number: 81210117

LIGHT TECHNOLOGY

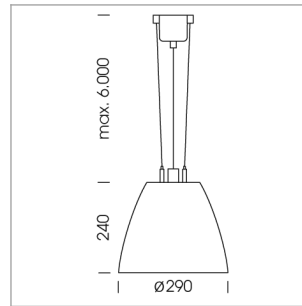
LED	COB
Light colour	SpecialMeat
Luminous flux	2260 lm
System power	41 W
Luminaire Efficiency	55 lm/W
Reflector	Flood
Beam angle	40°

LUMINAIRE

Swivel angle	2 x 25°
Weight	3.1 kg
Protection rating . class	IP 20 . I
Luminaire colour	stratoblack

OPTIONAL

Mounting Accessor



Suspended luminaire with LED, rated life of the LED L80/B10 > 50000 h, chromaticity tolerance 2 SDCM (initial), reflector with circular light distribution pattern, reflector pure aluminium 99,99% in MIRO-Silver®, swivel angle 2x25°, luminaire housing sheet steel, powder-coated, stratoblack

Multiadapter black, inclusive driver unit: 220-240 V~ / 50-60 Hz, max. 24 luminaires per circuit (B16A fuse)

Note: All data are typical values. System features may change with product improvements due to technical advances. Errors excepted.

