

Pendiro CP 300

Article number: 81100115

LIGHT TECHNOLOGY

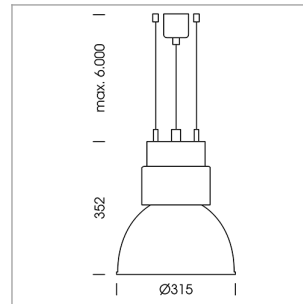
LED	COB
Light colour	GoldenBread
Luminous flux	3370 lm
System power	34 W
Luminaire Efficiency	99 lm/W
Reflector	OvalBasic
Beam angle	60° x 40°

LUMINAIRE

Swivel angle	+25° / -25°
Weight	3.2 kg
Protection rating . class	IP 20 . I
Luminaire colour	stratowhite

OPTIONAL

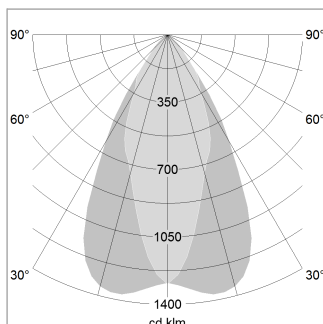
RAL-colours, NCS-colours (powder coating or wet spraying) on inquiry, surface alloys on inquiry, honeycomb louver



Suspended luminaire with LED, rated life of the LED L80/B10 > 50000 h, chromaticity tolerance 3 SDCM (initial), reflector with oval light distribution pattern, reflector pure aluminium 99,99% in MIRO-Silver®, luminaire shade die-cast aluminium, powder-coated, swivel angle +25°/-25°, luminaire housing sheet steel, powder-coated, stratowhite

Multiadapter black, inclusive driver unit: 220-240 V~ / 50-60 Hz, max. 24 luminaires per circuit (B16A fuse)

Note: All data are typical values. System features may change with product improvements due to technical advances. Errors excepted.



Height (m)	Beam Diameter (m)	Beam Area (m²)	Beam Intensity (lx)
1.0 m	1.05	0.41	5247.6
2.0 m	2.10	0.82	1311.9
3.0 m	3.15	1.22	583.1
4.0 m	4.20	1.63	328.0
5.0 m	5.25	2.04	209.9

Ø (m) E0(0°) [lx]

