

Pendiro CP 300

Article number: 81100140

LIGHT TECHNOLOGY

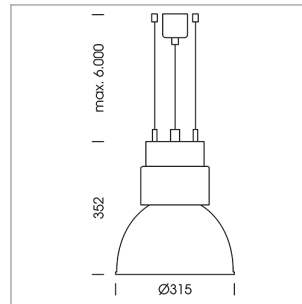
LED	COB
Light colour	GoldenBread
Luminous flux	4370 lm
System power	47 W
Luminaire Efficiency	93 lm/W
Reflector	OvalBasic
Beam angle	60° x 40°

LUMINAIRE

Swivel angle	+25° / -25°
Weight	3.2 kg
Protection rating . class	IP 20 . I
Luminaire colour	stratosilver

OPTIONAL

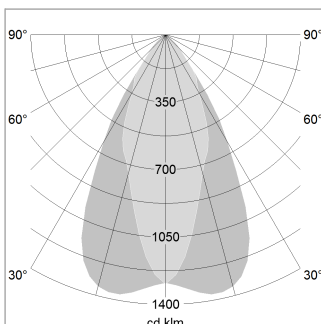
RAL-colours, NCS-colours (powder coating or wet spraying) on inquiry, surface alloys on inquiry, honeycomb louver



Suspended luminaire with LED, rated life of the LED L80/B10 > 50000 h, chromaticity tolerance 3 SDCM (initial), reflector with oval light distribution pattern, reflector pure aluminium 99,99% in MIRO-Silver®, luminaire shade die-cast aluminium, powder-coated, swivel angle +25°/-25°, luminaire housing sheet steel, powder-coated, stratosilver

Multiadapter black, inclusive driver unit: 220-240 V~ / 50-60 Hz, max. 24 luminaires per circuit (B16A fuse)

Note: All data are typical values. System features may change with product improvements due to technical advances. Errors excepted.



1.0 m	1.05 0.41	6804.8
2.0 m	2.10 0.82	1701.2
3.0 m	3.15 1.22	756.1
4.0 m	4.20 1.63	425.3
5.0 m	5.25 2.04	272.2
	Ø (m)	E0(0°) [lx]

