

Pendiro EC 125

Article number: 81070310

LIGHT TECHNOLOGY

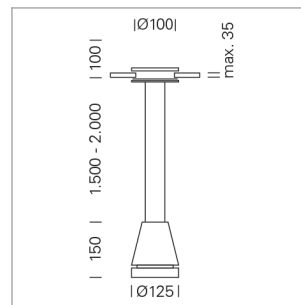
LED	COB
Light colour	GoldenBread
Luminous flux	4120 lm
System power	41 W
Luminaire Efficiency	100 lm/W
Reflector	OvalBasic
Beam angle	60° x 40°

LUMINAIRE

Weight	2.7 kg
Protection rating . class	IP 20 . III
Luminaire colour	stratosilver

OPTIONAL

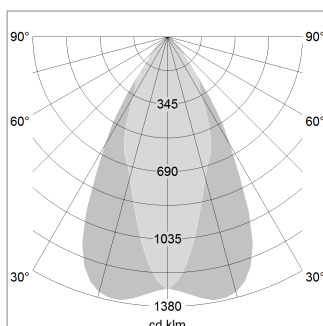
RAL-colours, NCS-colours (powder coating or wet spraying) on inquiry, surface alloys on inquiry, honeycomb louver



Suspended luminaire with LED, rated life of the LED L80/B10 > 50000 h, chromaticity tolerance 3 SDCM (initial), reflector with oval light distribution pattern, reflector pure aluminium 99,99% in MIRO-Silver®, luminaire head die-cast aluminium, powder-coated, stratosilver, separate driver unit

76500037 driver unit, Fix Current, 220-240 V / 50-60 Hz, 1050 mA, camera-compatible, up to 2.5 KV interference resistance, SELV, max. 22 luminaires per circuit (B16A fuse)

Note: All data are typical values. System features may change with product improvements due to technical advances. Errors excepted.



1.0 m	1.05 0.41	6181.9
2.0 m	2.10 0.82	1545.5
3.0 m	3.15 1.22	686.9
4.0 m	4.20 1.63	386.4
5.0 m	5.25 2.04	247.3
	Ø (m)	E0(0°) [lx]

