

## Pendiro QT

Article number: 6421000419

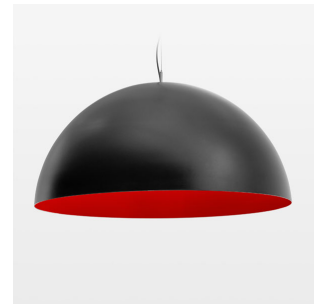
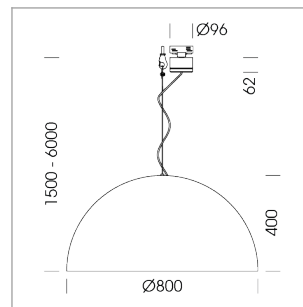
### LIGHT TECHNOLOGY

LED	COB
Light colour	927
Luminous flux	2440 lm
System power	23 W
Luminaire Efficiency	106 lm/W
Reflector	Flood
Beam angle	44°

### LUMINAIRE

Protection rating . class	IP 20 . I
Luminaire colour	black

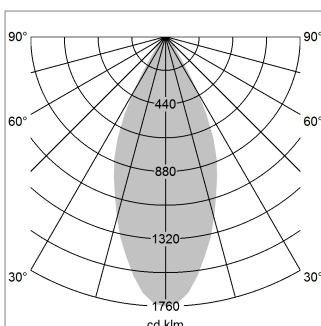
### OPTIONAL



Decorative suspended luminaire with integrated LED lighting head, black, incl. translucent acrylic cylinder for homogeneous illumination of the inner surface, rated lamp lifetime of the LED L80/B10 > 50000 h, colour rendering index CRI 90, chromaticity tolerance 2 SDCM (initial), reflector 99,99% high-purity aluminium in MIRO-Silver®, rotation- symmetrical reflector with circular light distribution pattern, segmented and faceted, glas cover, shade made of painted aluminium, black / traffic red, 28 ventilation openings (diameter 5mm) concentric circular arrangement, power feed cable and canopy in black, steel cable hanging set, multiadapter, 3m cable, including driver

driver unit DALI, 220-240V / 50-60 Hz, SELV, up to 2.5KV interference resistance, max. 95 luminaires per circuit (B16A fuse)

Note: All data are typical values. System features may change with product improvements due to technical advances. Errors excepted.



Height (m)	Beam Diameter (m)	Luminous Flux (lm)
1.0 m	0.81	4293.0
2.0 m	1.62	1073.0
3.0 m	2.43	477.0
4.0 m	3.24	268.0
5.0 m	4.05	172.0

Ø (m) E0(0°)(lx)

