

Pendiro QT

Article number: 6421000512

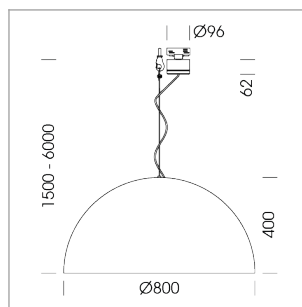
LIGHT TECHNOLOGY

| | |
|----------------------|----------|
| LED | COB |
| Light colour | 835 |
| Luminous flux | 3020 lm |
| System power | 23 W |
| Luminaire Efficiency | 131 lm/W |
| Reflector | Flood |
| Beam angle | 44° |

LUMINAIRE

| | |
|---------------------------|-----------|
| Protection rating . class | IP 20 . I |
| Luminaire colour | black |

OPTIONAL



Decorative suspended luminaire with integrated LED lighting head, black, incl. translucent acrylic cylinder for homogeneous illumination of the inner surface, rated lamp lifetime of the LED L80/B10 > 50000 h, colour rendering index CRI 80, chromaticity tolerance 2 SDCM (initial), reflector 99,99% high-purity aluminium in MIRO-Silver®, rotation- symmetrical reflector with circular light distribution pattern, segmented and faceted, glas cover, shade made of painted aluminium, black / traffic blue, 28 ventilation openings (diameter 5mm) concentric circular arrangement, power feed cable and canopy in black, steel cable hanging set, multiadapter, 6m cable, including driver

driver unit DALI, 220-240V / 50-60 Hz, SELV, up to 2.5KV interference resistance, max. 95 luminaires per circuit (B16A fuse)

Note: All data are typical values. System features may change with product improvements due to technical advances. Errors excepted.

