

## Pendiro XR

Article number: 80780038

### LIGHT TECHNOLOGY

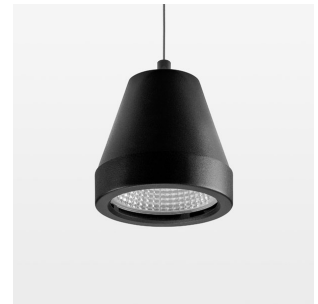
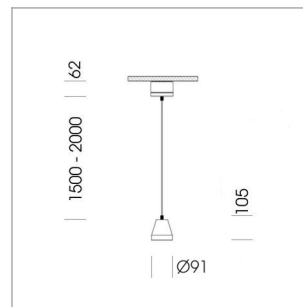
|                      |          |
|----------------------|----------|
| LED                  | COB      |
| Light colour         | 835      |
| Luminous flux        | 2830 lm  |
| System power         | 23 W     |
| Luminaire Efficiency | 123 lm/W |
| Reflector            | Medium   |
| Beam angle           | 25°      |

### LUMINAIRE

|                           |             |
|---------------------------|-------------|
| Weight                    | 1.0 kg      |
| Protection rating . class | IP 20 . I   |
| Luminaire colour          | stratoblack |

### OPTIONEEL

RAL-colours, NCS-colours (powder coating or wet spraying) on inquiry, surface alloys on inquiry (only luminaire head and holding arm, honeycomb louver



Suspended luminaire with LED, rated life of the LED L80/B10 > 50000 h, colour rendering index CRI > 80, chromaticity tolerance 2 SDCM (initial), reflector with circular light distribution pattern, reflector pure aluminium 99,99% in MIRO-Silver®, segmented and faceted, 3D lens silicon to reduce the proportion of scattered light, luminaire head die-cast aluminium, powder-coated, stratoblack

Multiadapter black, inclusive driver unit: 220-240 V~ / 50-60 Hz, max. 24 luminaires per circuit (B16A fuse)

Note: All data are typical values. System features may change with product improvements due to technical advances. Errors excepted.

