

Pendiro AM 290

Article number: 81230121

LIGHT TECHNOLOGY

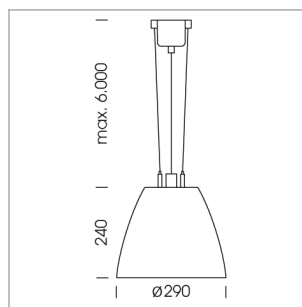
LED	COB
Light colour	Fish-Seafood
Luminous flux	2920 lm
System power	41 W
Luminaire Efficiency	71 lm/W
Reflector	Spot
Beam angle	20°

LUMINAIRE

Swivel angle	2 x 25°
Weight	3.1 kg
Protection rating . class	IP 20 . I
Luminaire colour	stratosilver

OPTIONAL

Mounting Accessor



Suspended luminaire with LED, rated life of the LED L80/B10 > 50000 h, chromaticity tolerance 3 SDCM (initial), reflector with circular light distribution pattern, reflector pure aluminium 99,99% in MIRO-Silver®, swivel angle 2x25°, luminaire housing sheet steel, powder-coated, stratosilver

Multiadapter black, inclusive driver unit: 220-240 V~ / 50-60 Hz, max. 24 luminaires per circuit (B16A fuse)

Note: All data are typical values. System features may change with product improvements due to technical advances. Errors excepted.

