

Pendiro CP 300

Article number: 81090122

LIGHT TECHNOLOGY

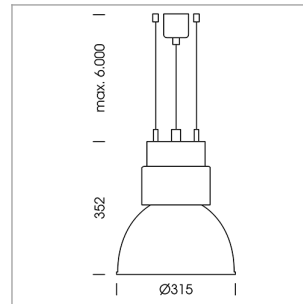
LED	COB
Light colour	SpecialMeat
Luminous flux	2440 lm
System power	41 W
Luminaire Efficiency	60 lm/W
Reflector	Flood
Beam angle	40°

LUMINAIRE

Swivel angle	+25° / -25°
Weight	3.2 kg
Protection rating . class	IP 20 . I
Luminaire colour	stratosilver

OPTIONEEL

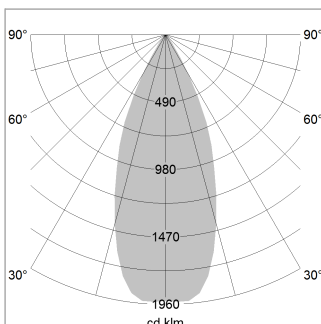
RAL-colours, NCS-colours (powder coating or wet spraying) on inquiry, surface alloys on inquiry, honeycomb louver



Suspended luminaire with LED, rated life of the LED L80/B10 > 50000 h, chromaticity tolerance 2 SDCM (initial), reflector with circular light distribution pattern, reflector pure aluminium 99,99% in MIRO-Silver®, luminaire shade die-cast aluminium, powder-coated, swivel angle +25°/-25°, luminaire housing sheet steel, powder-coated, stratosilver

Multiadapter black, inclusive driver unit: 220-240 V~ / 50-60 Hz, max. 24 luminaires per circuit (B16A fuse)

Note: All data are typical values. System features may change with product improvements due to technical advances. Errors excepted.



1.0 m	0.73	4487.4
2.0 m	1.46	1121.9
3.0 m	2.19	498.6
4.0 m	2.92	280.5
5.0 m	3.65	179.5
	Ø (m)	E0(0°) [lx]

