

Pendiro EC 125

Article number: 81060004

LIGHT TECHNOLOGY

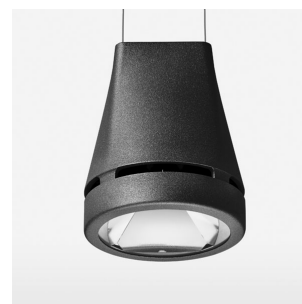
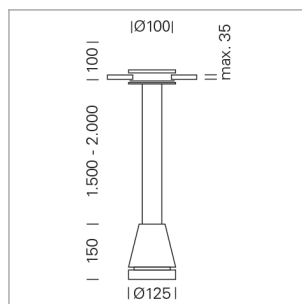
LED	COB
Light colour	840
Luminous flux	4370 lm
System power	34 W
Luminaire Efficiency	131 lm/W
Reflector	Flood
Beam angle	40°

LUMINAIRE

Weight	2.7 kg
Protection rating . class	IP 20 . III
Luminaire colour	stratoblack

OPTIONEEL

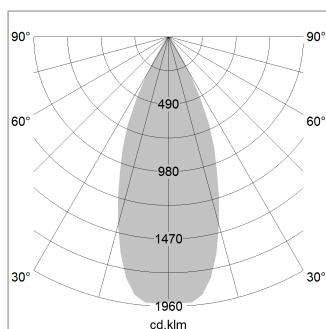
RAL-colours, NCS-colours (powder coating or wet spraying) on inquiry, surface alloys on inquiry, honeycomb louver



Suspended luminaire with LED, rated life of the LED L80/B10 > 50000 h, colour rendering index CRI > 80, chromaticity tolerance 2 SDCM (initial), reflector with circular light distribution pattern, reflector pure aluminium 99,99% in MIRO-Silver®, luminaire head die-cast aluminium, powder-coated, stratoblack, separate driver unit

76500076 driver unit, Fix Current, 220-240 V / 50-60 Hz, 850 mA, camera-compatible, up to 2.5 KV interference resistance, SELV, max. 34 luminaires per circuit (B16A fuse)

Note: All data are typical values. System features may change with product improvements due to technical advances. Errors excepted.



Height (m)	Beam Diameter (m)	Beam Area (m²)
1.0 m	0.73	8677.1
2.0 m	1.46	2169.3
3.0 m	2.19	964.1
4.0 m	2.92	542.3
5.0 m	3.65	347.1

Ø (m) E0(0°) [lx]

