

## Pendiro IC

Article number: 80710031

### LIGHT TECHNOLOGY

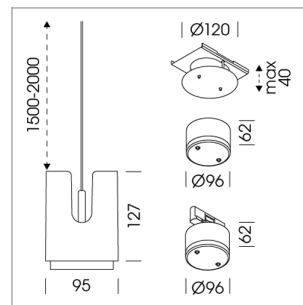
LED	COB
Light colour	PearlWhite
Luminous flux	2400 lm
System power	23 W
Luminaire Efficiency	103 lm/W
Reflector	OvalBasic
Beam angle	60° x 40°

### LUMINAIRE

Weight	0.8 kg
Protection rating . class	IP 20 . III
Luminaire colour	stratowhite

### OPTIONAL

RAL-colours, NCS colours (powder coating or wet spraying) on inquiry, surface alloys on inquiry



Suspended luminaire with LED, rated life of the LED L80/B10 > 50000 h, colour rendering index CRI > 90, chromaticity tolerance 2 SDCM (initial), LED hybrid technology, 3D silicone lens to reduce the proportion of scattered light, reflector with oval light distribution pattern, reflector pure aluminium 99,99% in MIRO-Silver®, segmented, exchangeable reflector unit in high-shine black plastic, with glass cover, luminaire housing die-cast aluminium, powder-coated, stratowhite, separate driver unit

76500055 recessed canopy,  
Mounting plate with accessories for recessed fitting, Connecting cable with plug  
connection for driver unit (order separately), cover sheet steel, powder-coated, stratowhite

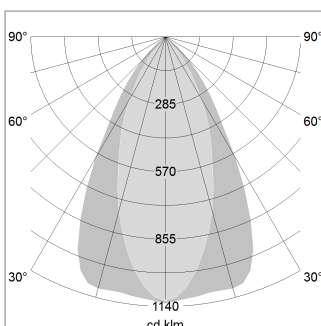
76500034 driver unit, Fix Current,  
220-240 V / 50-60 Hz, 600 mA, camera-compatible, up to 2.5 KV interference resistance, SELV, max. 34 luminaires per circuit (B16A fuse), Treiber für Deckeneinbau

76500039 driver unit, DALI,  
220-240 V / 50-60 Hz, 600 mA, with GST18/5-pin connector, incl. 5-conductor feed-through wiring, camera-compatible, up to 2.5 KV interference resistance, SELV, max. 24 luminaires per circuit (B16A fuse), Treiber für Deckeneinbau DALI

76500099 canopy with multiadapter inclusive driver unit,  
220-240 V / 50-60 Hz, 600 mA, up to 2.5 KV interference resistance, SELV, max. 95 pcs. / B16 luminaires per circuit (B16A fuse), cover sheet steel, powder-coated, stratoblack, Multiadapter DALI

76500100 canopy, inclusive DALI driver,  
220-240 V / 50-60 Hz, 600 mA, up to 2.5 KV interference resistance, SELV, max. 95 pcs. / B16 luminaires per circuit (B16A fuse), cover sheet steel, powder-coated, stratoblack, Deckenanbau DALI

Note: All data are typical values. System features may change with product improvements due to technical advances. Errors excepted.



1.0 m	1.18 0.76	2709.0
2.0 m	2.36 1.52	677.2
3.0 m	3.54 2.28	301.0
4.0 m	4.72 3.04	169.3
5.0 m	5.90 3.80	108.4

Ø (m) E0(0°) [lx]

