

Pendiro ID

Article number: 80650010

LIGHT TECHNOLOGY

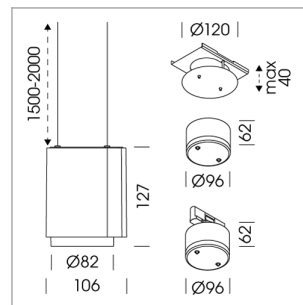
| | |
|----------------------|-------------|
| LED | COB |
| Light colour | GoldenBread |
| Luminous flux | 1520 lm |
| System power | 15 W |
| Luminaire Efficiency | 101 lm/W |
| Reflector | Flood |
| Beam angle | 44° |

LUMINAIRE

| | |
|---------------------------|-------------|
| Weight | 0.7 kg |
| Protection rating . class | IP 20 . III |
| Luminaire colour | stratoblack |

OPTIONEEL

RAL-colours, NCS colours (powder coating or wet spraying) on inquiry, surface alloys on inquiry



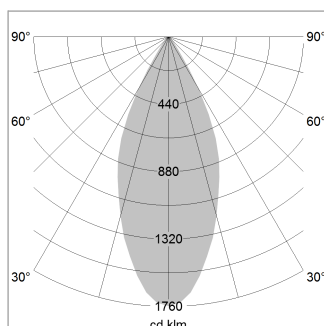
Suspended luminaire with LED, rated life of the LED L80/B10 > 50000 h, chromaticity tolerance 3 SDCM (initial), reflector with circular light distribution pattern, reflector pure aluminium 99,99% in MIRO-Silver®, segmented and faceted, exchangeable reflector unit in high-sheen black plastic, with glass cover, luminaire housing die-cast aluminium, powder-coated, stratoblack, separate driver unit

76500050 driver unit, Fix Current, 220-240 V / 50-60 Hz, 400 mA, camera-compatible, up to 2.5 KV interference resistance, SELV, max. 34 luminaires per circuit (B16A fuse), Treiber für Deckeneinbau

76500051 driver unit, DALI, 220-240 V / 50-60 Hz, 400 mA, with GST18/5-pin connector, incl. 5-conductor feed-through wiring, camera-compatible, up to 2.5 KV interference resistance, SELV, max. 24 luminaires per circuit (B16A fuse), Treiber für Deckeneinbau DALI

76500061 canopy with multiadapter inclusive DALI driver unit, 220-240 V / 50-60 Hz, 400 mA, up to 2.5 KV interference resistance, SELV, max. 95 pcs. / B16 luminaires per circuit (B16A fuse), cover sheet steel, powder-coated, stratoblack, Multiadapter DALI

76500062 canopy inclusive DALI driver unit, 220-240 V / 50-60 Hz, 400 mA, up to 2.5 KV interference resistance, SELV, max. 95 pcs. / B16 luminaires per circuit (B16A fuse), cover sheet steel, powder-coated, stratoblack, Deckenanbau DALI



| | | |
|-------|-------|-------------|
| 1.0 m | 0.81 | 2920.9 |
| 2.0 m | 1.62 | 730.2 |
| 3.0 m | 2.43 | 324.5 |
| 4.0 m | 3.24 | 182.6 |
| 5.0 m | 4.05 | 116.8 |
| | Ø (m) | E0(0°) [lx] |

Note: All data are typical values. System features may change with product improvements due to technical advances. Errors excepted.

