

## Pendiro ID

Article number: 80660022

### LIGHT TECHNOLOGY

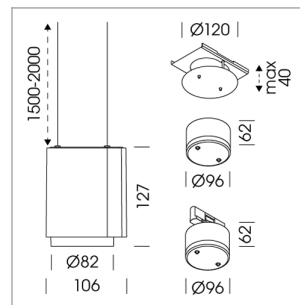
|                      |             |
|----------------------|-------------|
| LED                  | COB         |
| Light colour         | GoldenBread |
| Luminous flux        | 1460 lm     |
| System power         | 15 W        |
| Luminaire Efficiency | 97 lm/W     |
| Reflector            | OvalBasic   |
| Beam angle           | 40° x 60°   |

### LUMINAIRE

|                           |              |
|---------------------------|--------------|
| Weight                    | 0.7 kg       |
| Protection rating . class | IP 20 . III  |
| Luminaire colour          | stratosilver |

### OPTIONAL

RAL-colours, NCS colours (powder coating or wet spraying) on inquiry, surface alloys on inquiry



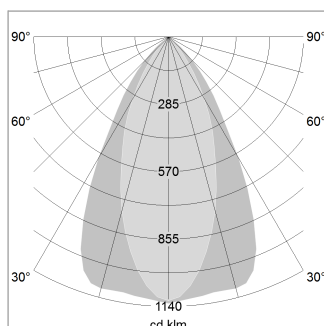
Suspended luminaire with LED, rated life of the LED L80/B10 > 50000 h, chromaticity tolerance 3 SDCM (initial), LED hybrid technology, 3D silicone lens to reduce the proportion of scattered light, reflector with oval light distribution pattern, reflector pure aluminium 99,99% in MIRO-Silver®, segmented, exchangeable reflector unit in high-sheen black plastic, with glass cover, luminaire housing die-cast aluminium, powder-coated, stratosilver, separate driver unit

76500050 driver unit, Fix Current, 220-240 V / 50-60 Hz, 400 mA, camera-compatible, up to 2.5 KV interference resistance, SELV, max. 34 luminaires per circuit (B16A fuse), Treiber für Deckeneinbau

76500051 driver unit, DALI, 220-240 V / 50-60 Hz, 400 mA, with GST18/5-pin connector, incl. 5-conductor feed-through wiring, camera-compatible, up to 2.5 KV interference resistance, SELV, max. 24 luminaires per circuit (B16A fuse), Treiber für Deckeneinbau DALI

76500059 canopy with multiadapter inclusive driver unit, 220-240 V / 50-60 Hz, 400 mA, up to 2.5 KV interference resistance, SELV, max. 95 pcs. / B16 luminaires per circuit (B16A fuse), cover sheet steel, powder-coated, stratoblack, Multiadapter DALI

76500060 canopy inclusive DALI driver unit, 220-240 V / 50-60 Hz, 400 mA, up to 2.5 KV interference resistance, SELV, max. 95 pcs. / B16 luminaires per circuit (B16A fuse), cover sheet steel, powder-coated, stratoblack, Deckenanbau DALI



|       |           |             |
|-------|-----------|-------------|
| 1.0 m | 1.18 0.76 | 1806.0      |
| 2.0 m | 2.36 1.52 | 451.5       |
| 3.0 m | 3.54 2.28 | 200.7       |
| 4.0 m | 4.72 3.04 | 112.9       |
| 5.0 m | 5.90 3.80 | 72.2        |
|       | Ø (m)     | E0(0°) [lx] |

Note: All data are typical values. System features may change with product improvements due to technical advances. Errors excepted.

