

## Pendiro QT

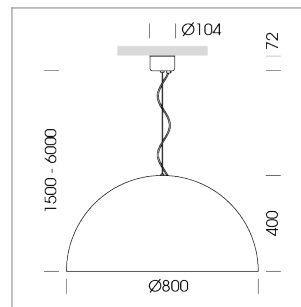
Article number: 6421000002

### LIGHT TECHNOLOGY

|                      |               |
|----------------------|---------------|
| LED                  | E27           |
| Light colour         | 828           |
| Luminous flux        | 1055 lm       |
| System power         | 13 W          |
| Luminaire Efficiency | 81 lm/W       |
| Reflector            | freistrahlend |
| Beam angle           | 80°           |

### LUMINAIRE

|                           |           |
|---------------------------|-----------|
| Protection rating . class | IP 20 . I |
| Luminaire colour          | black     |



Decorative suspended luminaire with hub holder E27, max 150W, shade made of painted aluminium, black / traffic blue, metal trim ring (diameter 95mm) around hub holder, 28 ventilation openings (diameter 5mm) concentric circular arrangement, double-insulated cabling, clamping device on cable ends if feed cable > 80 mm, power feed cable and canopy black, steel cable hanging set, ceiling-mounting, 1.5m cable

All light-measurements are based on the application with 13 watt LED lamp (Art. No.: 64110MM21113)

Note: All data are typical values. System features may change with product improvements due to technical advances. Errors excepted.

