

Pendiro QT

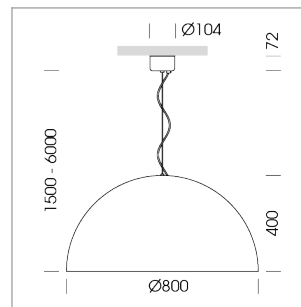
Article number: 6421000203

LIGHT TECHNOLOGY

| | |
|----------------------|---------------|
| LED | E27 |
| Light colour | 828 |
| Luminous flux | 1055 lm |
| System power | 13 W |
| Luminaire Efficiency | 81 lm/W |
| Reflector | freistrahlend |
| Beam angle | 80° |

LUMINAIRE

| | |
|---------------------------|-----------|
| Protection rating . class | IP 20 . I |
| Luminaire colour | black |



Decorative suspended luminaire with hub holder E27, max 150W, shade made of painted aluminium, black / yellow-green, metal trim ring (diameter 95mm) around hub holder, 28 ventilation openings (diameter 5mm) concentric circular arrangement, double-insulated cabling, clamping device on cable ends if feed cable > 80 mm, power feed cable and canopy black, steel cable hanging set, ceiling-mounting, 6m cable

All light-measurements are based on the application with 13 watt LED lamp (Art. No.: 64110MM21113)

Note: All data are typical values. System features may change with product improvements due to technical advances. Errors excepted.

