

Pendiro QT

Article number: 6421000319

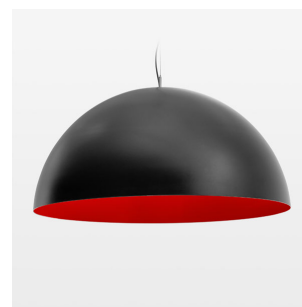
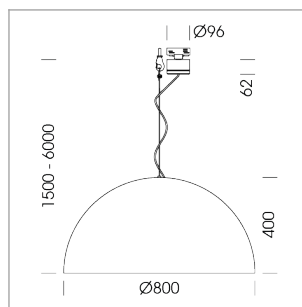
LIGHT TECHNOLOGY

LED	COB
Light colour	927
Luminous flux	2440 lm
System power	23 W
Luminaire Efficiency	106 lm/W
Reflector	Flood
Beam angle	44°

LUMINAIRE

Protection rating . class	IP 20 . I
Luminaire colour	black

OPTIONAL



Decorative suspended luminaire with integrated LED lighting head, black, incl. translucent acrylic cylinder for homogeneous illumination of the inner surface, rated lamp lifetime of the LED L80/B10 > 50000 h, colour rendering index CRI 90, chromaticity tolerance 2 SDCM (initial), reflector 99,99% high-purity aluminium in MIRO-Silver®, rotation- symmetrical reflector with circular light distribution pattern, segmented and faceted, glas cover, shade made of painted aluminium, black / traffic red, 28 ventilation openings (diameter 5mm) concentric circular arrangement, power feed cable and canopy in black, steel cable hanging set, multiadapter, 1.5m cable, including driver

driver unit DALI, 220-240V / 50-60 Hz, SELV, up to 2.5KV interference resistance, max. 95 luminaires per circuit (B16A fuse)

Note: All data are typical values. System features may change with product improvements due to technical advances. Errors excepted.

