

Pendiro XR

Article number: 80760017

LIGHT TECHNOLOGY

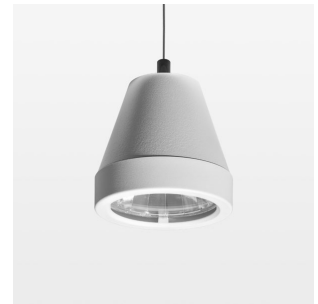
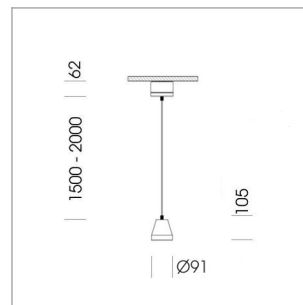
| | |
|----------------------|------------|
| LED | COB |
| Light colour | BeColor |
| Luminous flux | 990 lm |
| System power | 15 W |
| Luminaire Efficiency | 66 lm/W |
| Reflector | NarrowSpot |
| Beam angle | 10° |

LUMINAIRE

| | |
|---------------------------|-------------|
| Weight | 1.0 kg |
| Protection rating . class | IP 20 . I |
| Luminaire colour | stratowhite |

OPTIONAL

RAL-colours, NCS-colours (powder coating or wet spraying) on inquiry, surface alloys on inquiry (only luminaire head and holding arm, honeycomb louver



Suspended luminaire with LED, rated life of the LED L80/B10 > 50000 h, colour rendering index CRI > 95, chromaticity tolerance 2 SDCM (initial), rotation-symmetrical reflector with circular light distribution pattern, reflector pure aluminium 99,99% in MIRO-Silver®, segmented and faceted, 3D lens silicon to reduce the proportion of scattered light, luminaire head die-cast aluminium, powder-coated, stratowhite

Multiadapter black, inclusive driver unit: 220-240 V~ / 50-60 Hz, max. 95 luminaires per circuit (B16A fuse)

Note: All data are typical values. System features may change with product improvements due to technical advances. Errors excepted.

