

## Pendiro XR

Article number: 80810027

### LIGHT TECHNOLOGY

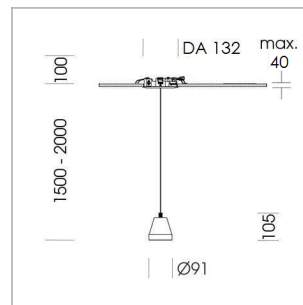
|                      |          |
|----------------------|----------|
| LED                  | COB      |
| Light colour         | 840      |
| Luminous flux        | 2930 lm  |
| System power         | 23 W     |
| Luminaire Efficiency | 127 lm/W |
| Reflector            | Spot     |
| Beam angle           | 20°      |

### LUMINAIRE

|                  |             |
|------------------|-------------|
| Weight           | 0.6 kg      |
| Luminaire colour | stratowhite |

### OPTIONAL

RAL-colours, NCS-colours (powder coating or wet spraying) on inquiry, surface alloys on inquiry (only luminaire head and holding arm, honeycomb louver



Suspended luminaire with LED, rated life of the LED L80/B10 > 50000 h, colour rendering index CRI > 80, chromaticity tolerance 2 SDCM (initial), reflector with circular light distribution pattern, reflector pure aluminium 99,99% in MIRO-Silver®, segmented and faceted, 3D lens silicon to reduce the proportion of scattered light, luminaire head die-cast aluminium, powder-coated, stratowhite, separate driver unit

76500034 driver unit, Fix Current, 220-240 V / 50-60 Hz, 600 mA, camera-compatible, up to 2.5 KV interference resistance, SELV, max. 34 luminaires per circuit (B16A fuse)

76500039 driver unit, DALI, 220-240 V / 50-60 Hz, 600 mA, with GST18/5-pin connector, incl. 5-conductor feed-through wiring, camera-compatible, up to 2.5 KV interference resistance, SELV, max. 24 luminaires per circuit (B16A fuse)

Note: All data are typical values. System features may change with product improvements due to technical advances. Errors excepted.

