

## Pendiro XR

Article number: 80820006

### LIGHT TECHNOLOGY

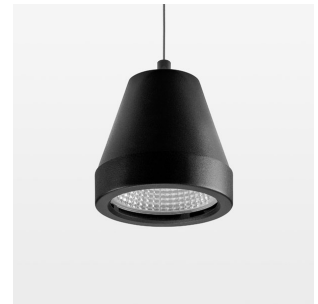
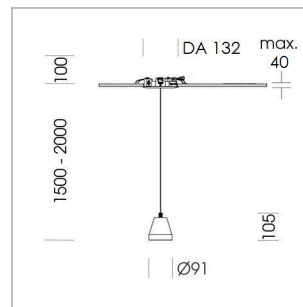
LED	COB
Light colour	BeCool
Luminous flux	1390 lm
System power	15 W
Luminaire Efficiency	93 lm/W
Reflector	Medium
Beam angle	25°

### LUMINAIRE

Weight	0.6 kg
Luminaire colour	stratoblack

### OPTIONAL

RAL-colours, NCS-colours (powder coating or wet spraying) on inquiry, surface alloys on inquiry (only luminaire head and holding arm, honeycomb louver

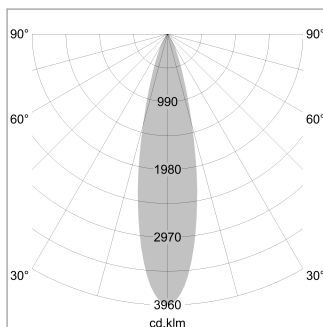


Suspended luminaire with LED, rated life of the LED L80/B10 > 50000 h, colour rendering index CRI > 96, chromaticity tolerance 3 SDCM (initial), reflector with circular light distribution pattern, reflector pure aluminium 99,99% in MIRO-Silver®, segmented and faceted, 3D lens silicon to reduce the proportion of scattered light, luminaire head die-cast aluminium, powder-coated, stratoblack, separate driver unit

76500050 driver unit, Fix Current, 220-240 V / 50-60 Hz, 400 mA, camera-compatible, up to 2.5 KV interference resistance, SELV, max. 34 luminaires per circuit (B16A fuse)

76500051 driver unit, DALI, 220-240 V / 50-60 Hz, 400 mA, with GST18/5-pin connector, incl. 5-conductor feed-through wiring, camera-compatible, up to 2.5 KV interference resistance, SELV, max. 24 luminaires per circuit (B16A fuse)

Note: All data are typical values. System features may change with product improvements due to technical advances. Errors excepted.



1.0 m	0.44	5499.1
2.0 m	0.88	1374.8
3.0 m	1.32	611.0
4.0 m	1.76	343.7
5.0 m	2.20	220.0
	Ø (m)	E0(0°) [lx]

