

## Intara ID

Article number: 50580016

### LIGHT TECHNOLOGY

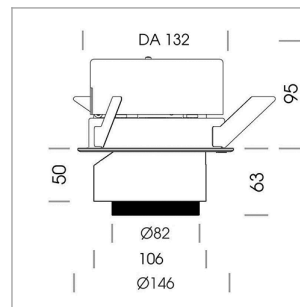
|                      |         |
|----------------------|---------|
| LED                  | COB     |
| Light colour         | 927     |
| Luminous flux        | 3420 lm |
| System power         | 41 W    |
| Luminaire Efficiency | 83 lm/W |
| Reflector            | Medium  |
| Beam angle           | 25°     |

### LUMINAIRE

|                           |              |
|---------------------------|--------------|
| Rotation angle            | 350°         |
| Swivel angle              | 34°          |
| Weight                    | 1.2 kg       |
| Protection rating . class | IP 20 . III  |
| Luminaire colour          | stratosilver |

### OPTIONAL

RAL-colours, NCS-colours (powder coating or wet spraying) on inquiry, surface alloys on inquiry, honeycomb louver



Recessed luminaire with LED, rated life of the LED L80/B10 > 50000 h, colour rendering index CRI > 90, chromaticity tolerance 2 SDCM (initial), LED hybrid technology, 3D silicone lens to reduce the proportion of scattered light, reflector with circular light distribution pattern, reflector pure aluminium 99,99% in MIRO-Silver®, segmented and faceted, exchangeable reflector unit in high-sheen black plastic, with glass cover, fitting ring and cover sheet steel, rotation angle 350°, swivel angle 34°, patented swivel-tilt mechanism, luminaire housing die-cast aluminium, powder-coated, stratosilver, separate driver unit

76500037 driver unit, Fix Current, 220-240 V / 50-60 Hz, 1050 mA, camera-compatible, up to 2.5 KV interference resistance, SELV, max. 22 luminaires per circuit (B16A fuse)

76500042 driver unit, DALI, 220-240 V / 50-60 Hz, 1050 mA, with GST18/5-pin connector, incl. 5-conductor feed-through wiring, camera-compatible, up to 2.5 KV interference resistance, SELV, max. 22 luminaires per circuit (B16A fuse)

Note: All data are typical values. System features may change with product improvements due to technical advances. Errors excepted.

