

Intara RD 164

Article number: 50650012

LIGHT TECHNOLOGY

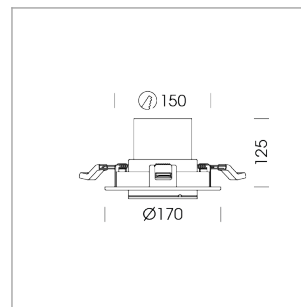
| | |
|----------------------|------------|
| LED | COB |
| Light colour | PearlWhite |
| Luminous flux | 3290 lm |
| System power | 34W |
| Luminaire Efficiency | 97 lm/W |
| Reflector | Medium |
| Beam angle | 20° |

LUMINAIRE

| | |
|---------------------------|----------------------|
| Swivel angle | +30° / -30° |
| Weight | 0.9kg without driver |
| Protection rating . class | IP 20 . III |
| Luminaire colour | silver |

OPTIONAL

RAL colours



Recessed luminaire with LED, rated life of the LED L80/B10 > 50000h, colour rendering index CRI > 90, chromaticity tolerance 2 SDCM (initial), reflector with circular light distribution pattern, 99,99% pure aluminium, segmented and faceted, cardanic, incl. glass cover, sheet metal powder coated, separate driver unit

76500076 driver unit, fix current
220-240 V / 50-60 Hz, 850 mA, with GST18/3-pin connector, incl. 3-conductor feed-through wiring, camera-compatible, up to 2.5 KV interference resistance, SELV, max. 34 luminaires per circuit (B16A fuse)

76500077 driver unit, DALI
220-240 V / 50-60 Hz, 850 mA, with GST18/5-pin connector, incl. 5-conductor feed-through wiring, up to 2.5 KV interference resistance, SELV, max. 24 luminaires per circuit (B16A fuse)

Note: All data are typical values. System features may change with product improvements due to technical advances. Errors excepted.

