

## Intara RD 164

Article number: 50680026

### LIGHT TECHNOLOGY

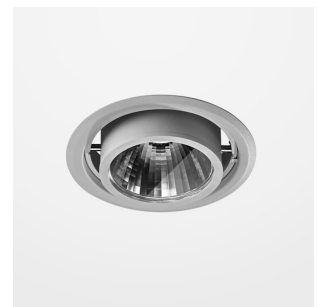
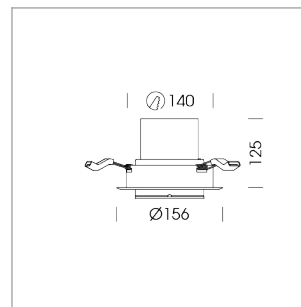
|                      |          |
|----------------------|----------|
| LED                  | COB      |
| Light colour         | 835      |
| Luminous flux        | 3050 lm  |
| System power         | 23W      |
| Luminaire Efficiency | 133 lm/W |
| Reflector            | Flood    |
| Beam angle           | 30°      |

### LUMINAIRE

|                           |                      |
|---------------------------|----------------------|
| Rotation angle            | +175° / -175°        |
| Swivel angle              | +30° / -30°          |
| Weight                    | 0.8kg without driver |
| Protection rating . class | IP 20 . III          |
| Luminaire colour          | silver               |

### OPCJA

RAL colours



Recessed luminaire with LED, rated life of the LED L80/B10 > 50000h, colour rendering index CRI > 80, chromaticity tolerance 2 SDCM (initial), axially symmetrical reflector with circular light distribution pattern, 99,99% pure aluminium, segmented and faceted, infinitely adjustable sheet steel luminaire housing, incl. glass cover, sheet metal powder coated, separate driver unit

76500034 driver unit, fix current  
220-240 V / 50-60 Hz, 600 mA, with GST18/3-pin connector, incl. 3-conductor feed-through wiring, camera-compatible, up to 2.5 KV interference resistance, SELV, max. 34 luminaires per circuit (B16A fuse)

76500039 driver unit, DALI  
220-240 V / 50-60 Hz, 600 mA, with GST18/5-pin connector, incl. 5-conductor feed-through wiring, up to 2.5 KV interference resistance, SELV, max. 24 luminaires per circuit (B16A fuse)

Note: All data are typical values. System features may change with product improvements due to technical advances. Errors excepted.

