

Intara SQ 174

Article number: 50660003

LIGHT TECHNOLOGY

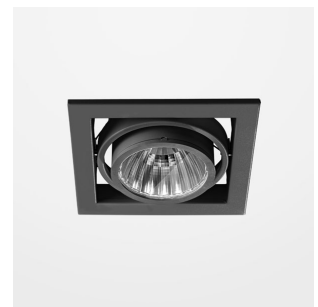
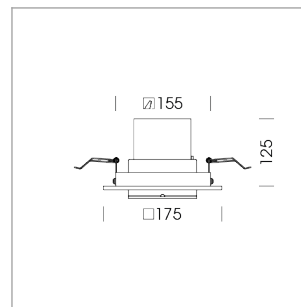
| | |
|----------------------|----------|
| LED | COB |
| Light colour | 840 |
| Luminous flux | 4500 lm |
| System power | 41 W |
| Luminaire Efficiency | 110 lm/W |
| Reflector | Spot |
| Beam angle | 16° |

LUMINAIRE

| | |
|---------------------------|-------------|
| Swivel angle | +30° / -30° |
| Weight | 1.1 kg |
| Protection rating . class | IP 20 . III |
| Luminaire colour | stratoblack |

OPTIONAL

RAL colours

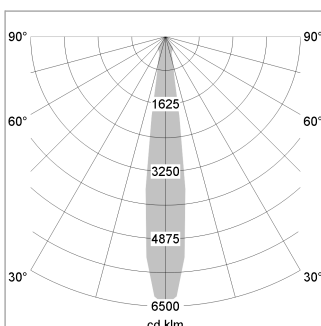


Recessed luminaire with LED, rated life of the LED L80/B10 > 50000 h, colour rendering index CRI > 80, chromaticity tolerance 2 SDCM (initial), reflector with circular light distribution pattern, reflector pure aluminium 99,99% in MIRO-Silver®, cardanic, swivel angle +30°/-30°, luminaire housing sheet steel, powder-coated, stratoblack, separate driver unit

76500037 driver unit, fix current
220-240 V / 50-60 Hz, 1050 mA, with GST18/3-pin connector, incl. 3-conductor feed-through wiring, camera-compatible, up to 2.5 KV interference resistance, SELV, max. 22 luminaires per circuit (B16A fuse)

76500042 driver unit, DALI
220-240 V / 50-60 Hz, 1050 mA, with GST18/5-pin connector, incl. 5-conductor feed-through wiring, camera-compatible, up to 2.5 KV interference resistance, SELV, max. 52 luminaires per circuit (B16A fuse)

Note: All data are typical values. System features may change with product improvements due to technical advances. Errors excepted.



| | | |
|-------|-------|-------------|
| 1.0 m | 0.29 | 29222.2 |
| 2.0 m | 0.58 | 7305.5 |
| 3.0 m | 0.87 | 3246.9 |
| 4.0 m | 1.16 | 1826.4 |
| 5.0 m | 1.45 | 1168.9 |
| | Ø (m) | E0(0°) [lx] |

