

Intara SQ 175

Article number: 51070110

LIGHT TECHNOLOGY

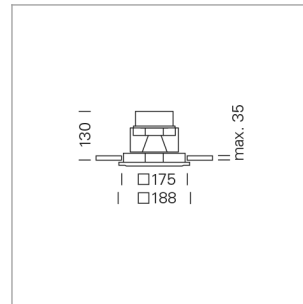
LED	COB
Light colour	GoldenBread
Luminous flux	2870 lm
System power	28 W
Luminaire Efficiency	103 lm/W
Reflector	OvalBasic
Beam angle	60° x 30°

LUMINAIRE

Swivel angle	30°
Weight	1.9 kg
Protection rating . class	IP 20 . III
Luminaire colour	stratosilver

OPTIONAL

RAL-colours, NCS-colours (powder coating or wet spraying) on inquiry, surface alloys on inquiry, honeycomb louver



Recessed luminaire with LED, rated life of the LED L80/B10 > 50000 h, chromaticity tolerance 3 SDCM (initial), reflector with oval light distribution pattern, reflector pure aluminium 99,99% in MIRO-Silver®, swivel angle 30°, luminaire housing sheet steel, powder-coated, stratosilver, separate driver unit

76500035 driver unit, Fix Current, 220-240 V / 50-60 Hz, 700 mA, camera-compatible, up to 2.5 KV interference resistance, SELV, max. 34 luminaires per circuit (B16A fuse)

Note: All data are typical values. System features may change with product improvements due to technical advances. Errors excepted.



1.0 m	1.05 0.41	4470.0
2.0 m	2.10 0.82	1118.0
3.0 m	3.15 1.23	497.0
4.0 m	4.20 1.64	280.0
5.0 m	5.25 2.05	179.0
	Ø (m)	E0(0°)(lx)

