

## Intara SQ 175

Article number: 51070172

### LIGHT TECHNOLOGY

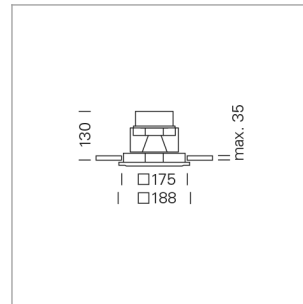
|                      |           |
|----------------------|-----------|
| LED                  | COB       |
| Light colour         | Sun       |
| Luminous flux        | 2070 lm   |
| System power         | 34 W      |
| Luminaire Efficiency | 61 lm/W   |
| Reflector            | OvalBasic |
| Beam angle           | 60° x 30° |

### LUMINAIRE

|                           |              |
|---------------------------|--------------|
| Swivel angle              | 30°          |
| Weight                    | 1.9 kg       |
| Protection rating . class | IP 20 . III  |
| Luminaire colour          | stratosilver |

### OPTIONAL

RAL-colours, NCS-colours (powder coating or wet spraying) on inquiry, surface alloys on inquiry, honeycomb louver



Recessed luminaire with LED, rated life of the LED L80/B10 > 50000 h, chromaticity tolerance 3 SDCM (initial), reflector with oval light distribution pattern, reflector pure aluminium 99,99% in MIRO-Silver®, swivel angle 30°, luminaire housing sheet steel, powder-coated, stratosilver, separate driver unit

76500076 driver unit, Fix Current, 220-240 V / 50-60 Hz, 850 mA, camera-compatible, up to 2.5 KV interference resistance, SELV, max. 34 luminaires per circuit (B16A fuse)

76500077 driver unit, DALI, 220-240 V / 50-60 Hz, 850 mA, with GST18/5-pin connector, incl. 5-conductor feed-through wiring, camera-compatible, up to 2.5 KV interference resistance, SELV, max. 24 luminaires per circuit (B16A fuse)

Note: All data are typical values. System features may change with product improvements due to technical advances. Errors excepted.

