

## Intara SQ 175

Article number: 51080171

### LIGHT TECHNOLOGY

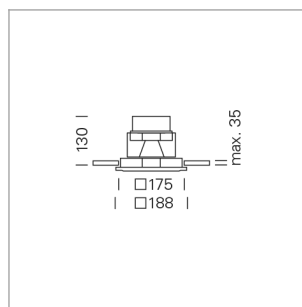
|                      |         |
|----------------------|---------|
| LED                  | COB     |
| Light colour         | Sun     |
| Luminous flux        | 1510 lm |
| System power         | 23 W    |
| Luminaire Efficiency | 66 lm/W |
| Reflector            | Spot    |
| Beam angle           | 20°     |

### LUMINAIRE

|                           |             |
|---------------------------|-------------|
| Swivel angle              | 30°         |
| Weight                    | 1.9 kg      |
| Protection rating . class | IP 20 . III |
| Luminaire colour          | stratoblack |

### OPTIONAL

RAL-colours, NCS-colours (powder coating or wet spraying) on inquiry, surface alloys on inquiry, honeycomb louver

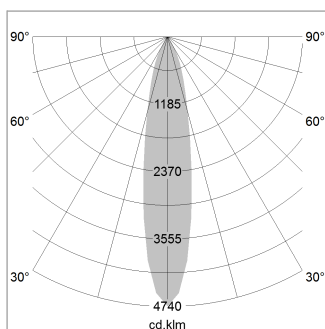


Recessed luminaire with LED, rated life of the LED L80/B10 > 50000 h, chromaticity tolerance 3 SDCM (initial), reflector with circular light distribution pattern, reflector pure aluminium 99,99% in MIRO-Silver®, swivel angle 30°, luminaire housing sheet steel, powder-coated, stratoblack, separate driver unit

76500034 driver unit, Fix Current, 220-240 V / 50-60 Hz, 600 mA, camera-compatible, up to 2.5 KV interference resistance, SELV, max. 34 luminaires per circuit (B16A fuse)

76500039 driver unit, DALI, 220-240 V / 50-60 Hz, 600 mA, with GST18/5-pin connector, incl. 5-conductor feed-through wiring, camera-compatible, up to 2.5 KV interference resistance, SELV, max. 24 luminaires per circuit (B16A fuse)

Note: All data are typical values. System features may change with product improvements due to technical advances. Errors excepted.



|       |       |            |
|-------|-------|------------|
| 1.0 m | 0.36  | 7149.0     |
| 2.0 m | 0.72  | 1788.0     |
| 3.0 m | 1.08  | 795.0      |
| 4.0 m | 1.44  | 447.0      |
| 5.0 m | 1.80  | 286.0      |
|       | Ø (m) | E0(0°)(lx) |

