

Intara XR

Article number: 50870014

LIGHT TECHNOLOGY

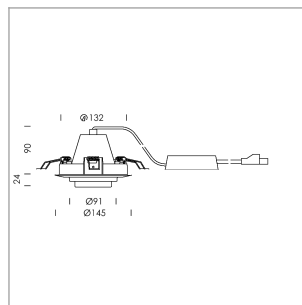
LED	COB
Light colour	BeCool
Luminous flux	1250 lm
System power	15 W
Luminaire Efficiency	83 lm/W
Reflector	Spot
Beam angle	20°

LUMINAIRE

Swivel angle	+25°/-25°
Weight	0.69 kg
Protection rating . class	IP 20 . II
Luminaire colour	stratosilver

OPTIONEEL

RAL-colours, NCS-colours (powder coating or wet spraying) on inquiry, surface alloys on inquiry, honeycomb louver



Recessed luminaire with LED, rated life of the LED L80/B10 > 50000 h, colour rendering index CRI > 96, chromaticity tolerance 2 SDCM (initial), rotation-symmetrical reflector with circular light distribution pattern, reflector pure aluminium 99,99% in MIRO-Silver®, segmented and faceted, 3D lens silicon to reduce the proportion of scattered light, die-cast aluminium, powder-coated, rotation angle , swivel angle +25°/-25°, stratosilver,

Inclusiv fix connected driver unit
220-240 V~ / 50-60 Hz, max. 36 luminaires per circuit (B16A fuse)

Note: All data are typical values. System features may change with product improvements due to technical advances. Errors excepted.

