

Intara XR

Article number: 50890063

LIGHT TECHNOLOGY

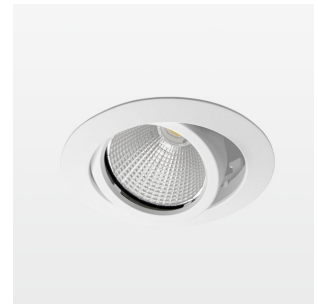
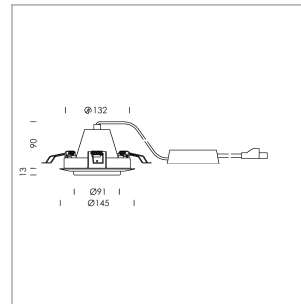
LED	COB
Light colour	BeCool
Luminous flux	2830 lm
System power	34 W
Luminaire Efficiency	83 lm/W
Reflector	Flood
Beam angle	40°

LUMINAIRE

Swivel angle	+25° / -25°
Weight	0.69 kg
Protection rating . class	IP 20 . II
Luminaire colour	stratowhite

OPTIONEEL

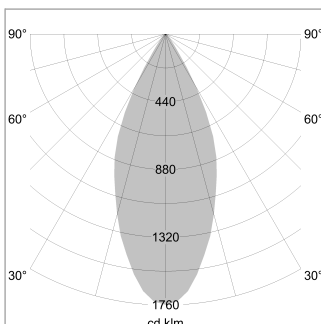
RAL-colours, NCS-colours (powder coating or wet spraying) on inquiry, surface alloys on inquiry, honeycomb louver



Recessed luminaire with LED, rated life of the LED L80/B10 > 50000 h, colour rendering index CRI > 96, chromaticity tolerance 2 SDCM (initial), reflector with circular light distribution pattern, reflector pure aluminium 99,99% in MIRO-Silver®, segmented and faceted, die-cast aluminium, powder-coated, rotation angle , swivel angle +25° / -25°, stratowhite,

Inclusiv fix connected driver unit
220-240 V~ / 50-60 Hz, max. 18 luminaires per circuit (B16A fuse)

Note: All data are typical values. System features may change with product improvements due to technical advances. Errors excepted.



1.0 m	0.81	4979.7
2.0 m	1.62	1244.9
3.0 m	2.43	553.3
4.0 m	3.24	311.2
5.0 m	4.05	199.2
	Ø (m)	E0(0°) [lx]

