

## Intara XR

Article number: 50900028

### LIGHT TECHNOLOGY

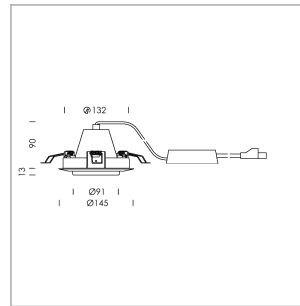
LED	COB
Light colour	BeCool
Luminous flux	2080 lm
System power	23 W
Luminaire Efficiency	90 lm/W
Reflector	OvalBasic
Beam angle	60° x 40°

### LUMINAIRE

Swivel angle	+25° / -25°
Weight	0.69 kg
Protection rating . class	IP 20 . II
Luminaire colour	stratoblack

### OPTIONEEL

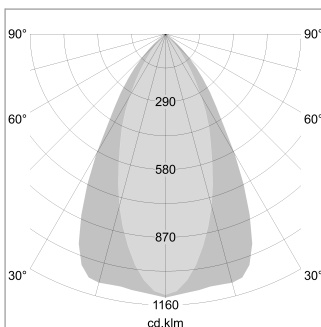
RAL-colours, NCS-colours (powder coating or wet spraying) on inquiry, surface alloys on inquiry, honeycomb louver



Recessed luminaire with LED, rated life of the LED L80/B10 > 50000 h, colour rendering index CRI > 96, chromaticity tolerance 2 SDCM (initial), reflector with oval light distribution pattern, reflector pure aluminium 99,99% in MIRO-Silver®, segmented, die-cast aluminium, powder-coated, rotation angle , swivel angle +25° / -25°, stratoblack,

Inclusiv fix connected driver unit  
220-240 V~ / 50-60 Hz, max. 18 luminaires per circuit (B16A fuse)

Note: All data are typical values. System features may change with product improvements due to technical advances. Errors excepted.



Distance (m)	Beam Diameter (m)	Beam Area (m²)	Illuminance (lx)
1.0	1.14	0.76	2287.2
2.0	2.28	1.53	571.8
3.0	3.42	2.29	254.1
4.0	4.56	3.05	142.9
5.0	5.70	3.82	91.5

Ø (m)      E0(0°) [lx]

