

## Intara XR

Article number: 50900059

### LIGHT TECHNOLOGY

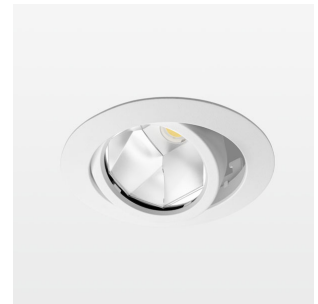
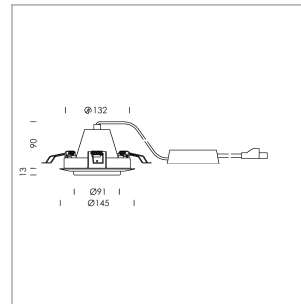
LED	COB
Light colour	835
Luminous flux	4030 lm
System power	34 W
Luminaire Efficiency	119 lm/W
Reflector	OvalBasic
Beam angle	60° x 40°

### LUMINAIRE

Swivel angle	+25° / -25°
Weight	0.69 kg
Protection rating . class	IP 20 . II
Luminaire colour	stratowhite

### OPTIONEEL

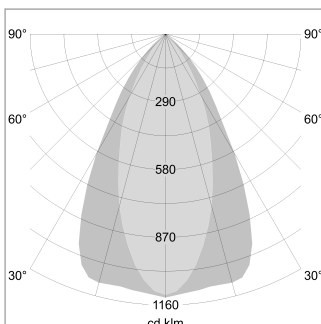
RAL-colours, NCS-colours (powder coating or wet spraying) on inquiry, surface alloys on inquiry, honeycomb louver



Recessed luminaire with LED, rated life of the LED L80/B10 > 50000 h, colour rendering index CRI > 80, chromaticity tolerance 2 SDCM (initial), reflector with oval light distribution pattern, reflector pure aluminium 99,99% in MIRO-Silver®, segmented, die-cast aluminium, powder-coated, rotation angle , swivel angle +25° / -25°, stratowhite,

Inclusiv fix connected driver unit  
220-240 V~ / 50-60 Hz, max. 18 luminaires per circuit (B16A fuse)

Note: All data are typical values. System features may change with product improvements due to technical advances. Errors excepted.



Height (m)	Beam Diameter (m)	Beam Area (m²)	Illuminance (lx)
1.0	1.14	0.76	4431.4
2.0	2.28	1.53	1107.8
3.0	3.42	2.29	492.4
4.0	4.56	3.05	277.0
5.0	5.70	3.82	177.3

Ø (m) E0(0°) [lx]

