

Intara TX

Article number: 50820005

LIGHT TECHNOLOGY

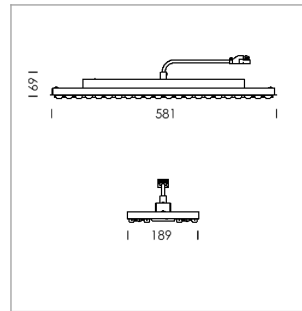
LED	SMD-Board
Light colour	835
Luminous flux	5840 lm
System power	42 W
Luminaire Efficiency	139 lm/W
Reflector	Xtra WideFlood
Beam angle	90°

LUMINAIRE

Weight	3.2 kg
Protection rating . class	IP 20 . I
Luminaire colour	matt white

OPTIONAL

Accessories for feed-through wiring,
cover stripes

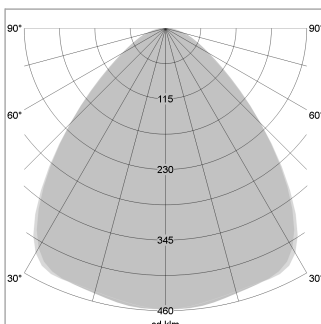


Lay in luminaire with LED, rated life of the LED L80/B50 > 50000 h, colour rendering index CRI > 80, chromaticity tolerance 3 SDCM (initial), extra wide, homogeneous light distribution pattern, TIR-lens made of PMMA, luminaire housing sheet steel, powder-coated, matt white

Driver with adjustable system power in 8 steps (38 W to 64 W), choice by DIP-Switch, 220-240 V~ / 50-60 Hz, max. 16 Pcs. luminaires per circuit (B16A fuse).

Order ceiling attachment with visible supporting profile separately:
5080Z600 B-Set for Ceiling Systems 600
5080Z625 B-Set for Ceiling Systems 625

Note: All data are typical values. System features may change with product improvements due to technical advances. Errors excepted.



1	2.63 . 2.50	382,5
2	5.26 . 5.00	96,6
3	7.89 . 7.50	42,5
4	10.52 . 10.00	23,9
5	13.15 . 12.50	15,3
h (m)	Ø (m)	E0 (0°) (lx/klm)

